



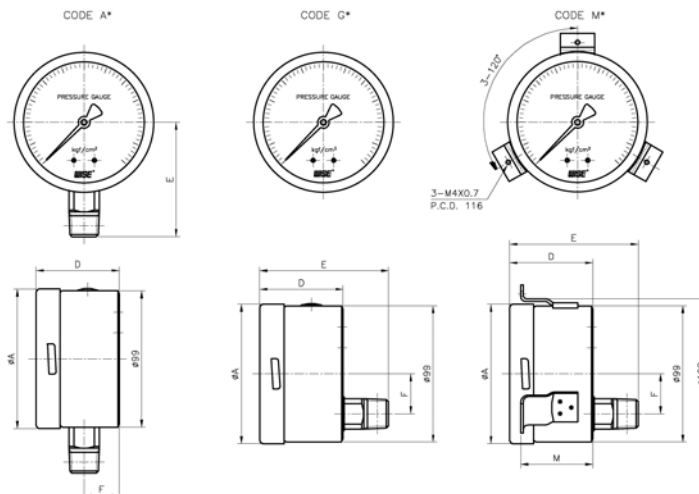
Ross Brown Sales Pty. Ltd.

ABN 28 000 690 362
 21 Brookhollow Ave, Baulkham Hills NSW 2153
 PO Box 6345 BHBC NSW 2153 Australia
 Phone: (02) 9899 2744 Fax: (02) 9899 4233
 Email: sales@rossbrownsales.com.au
 Website: www.rossbrownsales.com.au

100mm S/S Solid Front Pressure Gauge

Model: P257-4

Gauge design:	Fully safety pattern, solid front rear blowout
Case and bezel material:	304 Stainless steel liquid fillable
Connection:	316 Stainless steel
Bourdon tube material:	316 Stainless steel
Blowout protection:	Full blowout back
Over range protection:	130% of full scale
Working temperature:	Ambient = -40~80° C, Process = +200° C
Dial:	Aluminium, black print on white background
Ranges:	-100~0 kPa to 0~160000 kPa
Connection:	½" NPT lower mount
Window:	Laminated safety glass
Surge protection:	internal restrictor
Movement:	304 Stainless steel
Pointer:	Standard, non-adjustable
Accuracy:	1.0% of full scale



Dimensions in mm

Dial Size	Available Code	A	D	E	F	M
100	A*	101.3	59	83	25.5	
	G*	101.3	59	93.5	29	
	M*	101.3	59	93.5	29	48

Range (in kPa)	Lower Mount P/N	Range (in kPa)	Lower Mount P/N	Accessories
-100-0	2690000	0-2500	2690120	Glycerine Filling P/N 2701999
-100/+150	2690010	0-4000	2690130	
-100/+300	On request	0-6000	2690140	
-100/+500	2690030	0-8000	2690150	
-100/+900	On request	0-10000	2690160	
-100/+1500	On request	0-16000	2690170	
0-100	2690040	0-25000	2690180	
0-250	2690060	0-40000	2690190	
0-400	2690070	0-60000	2690200	
0-600	2690080	0-80000	2690210	
0-800	2690090	0-100000	2690220	
0-1000	2690100	0-160000	2690230	
0-1600	2690110			
Weight gms	720	Add 350 gms for glycerine filling		

Revision: 1005