

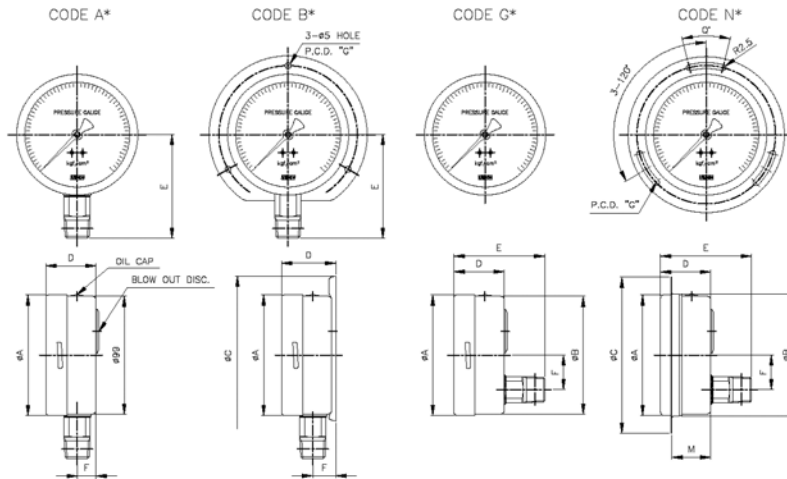


Ross Brown Sales Pty. Ltd.

ABN 28 000 690 362
 21 Brookhollow Ave, Baulkham Hills NSW 2153
 PO Box 6345 BHBC NSW 2153 Australia
 Phone: (02) 9899 2744 Fax: (02) 9899 4233
 Email: sales@rossbrownsales.com.au
 Website: www.rossbrownsales.com.au

100 mm Industrial Quality Pressure Gauge Model P253-4

Case and bezel material:	304 stainless steel liquid fillable
Connection:	Copper alloy 2.0460
Bourdon tube material:	<10000 kPa = Copper alloy 2.0460, ≥10000 kPa = 316 Stainless Steel
Working temperature:	Ambient = -20~65° C, Process = + 60° C
Dial:	Aluminium, black print on white background
Ranges:	-100~0 kPa to 0~100000 kPa
Connection:	3/8" BSPT lower mount, lower back mount
Window:	Laminated safety glass
Blowout protection:	Rubber disc on the back
Over range protection:	130% of full scale
Movement:	304 Stainless steel
Pointer:	Micro-adjustable
Accuracy:	1.0% of full scale
Protection rating:	IP65



Dimensions (mm)

Dial Size	Available Code	A	B	C	D	E	F	G	M	Q
100	A*	101.3			50	83	16			
	B*	101.3		133	54.4	83	19.4	116		
	G*	101.3	99		50	83	29			
	N*	101.3	103.1	131	50	83	29	116	45	28

Range (in kPa)	Lower Mount Code A*	Lower Back Mount Code G*	Range (in kPa)	Lower Mount Code A*	Lower Back Mount Code G*	Accessories Available	
-100-0	2702000	On request	0-2500	2702024	2702341	Back Flange P/N 2701997	
-100/+150	On request	On request	0-4000	2702026	On request		
-100/+300	On request	On request	0-6000	On request	On request		
-100/+500	On request	On request	0-8000	On request	On request	Internal Restrictor	
-100/+900	2702003	On request	0-10000	On request	On request		
-100/+1500	On request	On request	0-16000	On request	On request	Glycerine Filling P/N 2701999	
0-100	2702010	On request	0-25000	On request	On request		
0-160	On request	On request	0-40000	On request	On request		
0-250	2702014	On request	0-60000	On request	On request	Rubber Boot P/N 2701993	
0-400	2702016	On request	0-80000	On request	On request		
0-600	2702017	On request	0-100000	On request	On request		
0-800	2702018	On request				Polycarbonate Lens P/N 2701992	
0-1000	2702020	On request					
0-1600	2702022	On request					
Weight gms			Add 320gms for glycerine filling				

Revision: 0805