



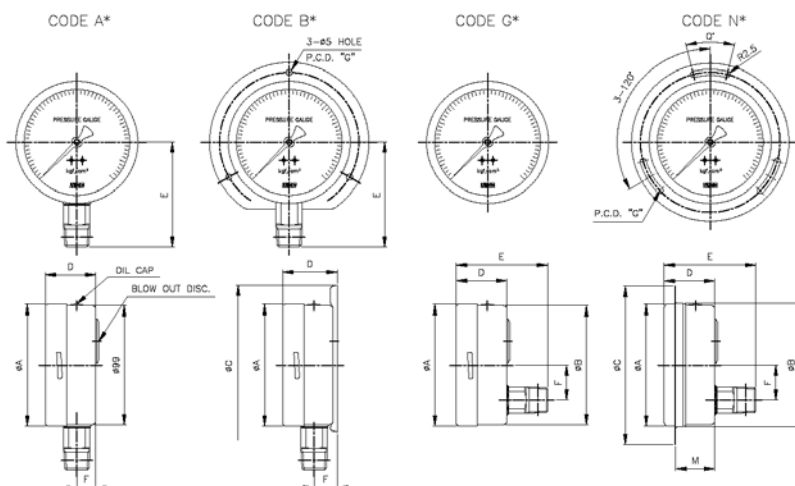
Ross Brown Sales Pty. Ltd.

ABN 28 000 690 362
 21 Brookhollow Ave, Baulkham Hills NSW 2153
 PO Box 6345 BHBC NSW 2153 Australia
 Phone: (02) 9899 2744 Fax: (02) 9899 4233
 Email: sales@rossbrownsales.com.au
 Website: www.rossbrownsales.com.au

160mm Stainless Steel Pressure Gauge

Model: P252-6

Case and bezel material:	304 stainless steel liquid fillable
Connection:	316 Stainless steel
Bourdon tube material:	316 Stainless steel
Blowout protection:	Rubber disc on the back
Over Range Protection:	130% of full scale
Working temperature:	Ambient = -40~60° C, Process = +200° C
Dial:	Aluminium, black print on white background
Ranges:	-100~0 kPa to 0~160000 kPa
Connection:	½" NPT lower mount
Window:	Laminated safety glass
Surge protection:	Internal restrictor
Movement:	304 Stainless steel
Pointer:	Standard, non-adjustable
Accuracy:	1.0% of full scale
Protection Rating:	IP65



Dimensions in mm

Dial Size	Available Code	A	B	C	D	E	F	G	M
160mm	A*	160.6			52.5	112	15.8		
	B*	160.6		196	56	112	19.3	178	
	G*	160.6	159		52.5	85.5	51.5		
	N*	160.6	163.6	182	52.5	85.5	51.5	178	47.5

Range (in kPa)	Lower Mount P/N	Range (in kPa)	Lower Mount P/N	Accessories
-100-0	2701512	0-1600	2701524	Back Flange P/N: 2701996
-100/+150	On Request	0-2500	2701526	
-100/+300	On Request	0-4000	2701528	Glycerine Filling P/N: 2701995
-100/+500	2701508	0-6000	2701530	
-100/+900	On Request	0-8000	On Request	
-100/+1500	On Request	0-10000	2701532	
0-100	On Request	0-16000	2701534	
0-160	2701515	0-25000	2701536	
0-250	2701514	0-40000	2701538	
0-400	2701516	0-60000	On Request	
0-600	2701518	0-80000	On Request	
0-800	2701520	0-100000	On Request	
0-1000	2701522	0-160000	On Request	
Weight gms	1140	Add 850 gms for glycerine filling		

Revision: 0905