



Ross Brown Sales Pty. Ltd.

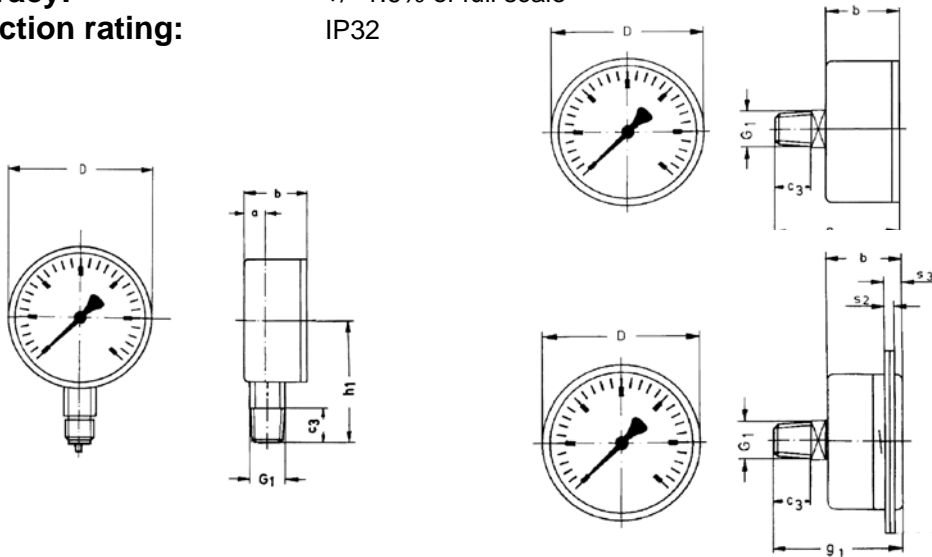
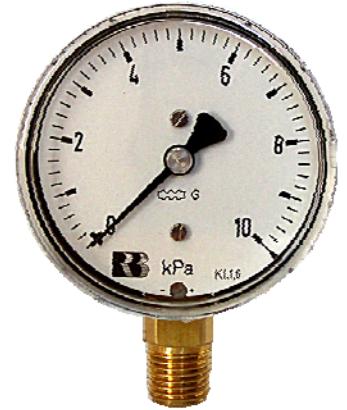
ABN 28 000 690 362
 21 Brookhollow Ave, Baulkham Hills NSW 2153
 PO Box 6345 BHBC NSW 2153 Australia
 Phone: (02) 9899 2744 Fax: (02) 9899 4233
 Email: sales@rossbrownsales.com.au
 Website: www.rossbrownsales.com.au

Low Pressure Gauge

(NOT SUITABLE FOR LIQUIDS)

Model KPCh

Case and bezel material: 304 stainless steel
Connection: Brass, copper/beryllium & buna-N
Capsule material: Brass, copper/beryllium & buna-N
Working temperature: Ambient = -25~60° C, Process = +80° C
Dial: Black print (kPa) on white background
Ranges: 0~2.5 kPa to 0~60 kPa, pressure & vacuum
Connection: 1/4" BSPT
Window: Acrylic
Over range protection: 130% of full scale
Process Medium: Only suitable for air & gas
Movement: Brass / German silver
Pointer: Aluminium black finish. External zero adjustment
Accuracy: +/- 1.6% of full scale
Protection rating: IP32



Dimensions in mm

Nominal Case Size	a	b ¹⁾	b2	c3	D	d1	d2	d3	G1	g1 ³⁾	g2	h1±1	s2	s3
63	10	34	37.5	13	64	75	85	3.6	1/4" BSPT	56	60	53	2	8.5

^{1) 3)} For special configurations 10-times over pressure protection, please add 8 mm to dimensions b & g1

Range in kPa	Lower Mount P/N	Centre Back Mount P/N	Range in kPa	Lower Mount P/N	Centre Back Mount P/N
-60~0			0~2.5	1012607	1012649
-40~0			0~4		
-25~0	1012605		0~6	1012609	1012650 1
-16~0			0~10	1012610	1012651 1
-10~0	1012601		0~16	1012612	
-6~0			0~25	1012614	
-4~0			0~40	1012616	
-2.5~0			0~60	1012618	
Weight gms	200	200		200	200

Legend	Accessories
1. Fitted with front flange for panel mounting	Back flange for 63mm P/N: 1369997

Revision: 0805