

The EBI 100 wireless logger makes it possible:

Wireless real-time monitoring of hot processes up to +150°C (302°F) for many food product applications:

- monitoring of pasteurization systems
- F-value determination in the food industry
- bottle cleaning, temperature and pressure measurement in the beverage industry
- determination of the PE value in beverage production
- temperature process monitoring in production



Measuring range temperature
-85°C ... +150°C (-121...302°F)

Resolution
±0.3°C (32,5°F)

Memory
27,000 values



Ross Brown Sales Pty Ltd

ABN 28 000 690 362

Phone: 612 9899 2744 Fax: 612 9899 4233

Email: sales@rossbrownsales.com.au

Web: www.rossbrownsales.com.au



Temperature logger

EBI 100-T100



Illustration: with eyelet



EBI 100-T100

Technical Data

Type	EBI 100-T100
Measuring range	-40°C ... +150°C (-40°F ... + 302°F)
Accuracy	±0.3°C
Resolution	0.1°C
Measuring channels	1 Temperature channel
Operating temperature	-40°C ... +150°C
Storage temperature	-40°C ... +70°C
Sensor	Pt 1000
Memory	27.000 measured values
Memory mode	- Endless measuring immediately, - Start- /stop measurement, - Measure immediately until end of memory - Measure upon start temperature - Measure until end of memory
Measuring rate	min: 1 sec, max: 24 h
Battery	Lithium cell ½ AA, exchangeable
Dimensions	48 x 48 x 24 mm
Housing material	Stainless steel (V4a), PEEK
Weight	ca. 70 g
Protection class	IP 68



Applications

- Determination of F-value in canned goods production
- Monitoring of pasteurisation process
- Temperature-process monitoring in production

Attributes

- Temperature resistant up to +150 °C
- Completely waterproof
- Different models available
- Factory calibration certificate
- Programming and evaluation with PC

Description	Type	Part No.
Temperature logger	EBI 100-T100	1340-6500

Remarks

Spare parts and accessories see page 56.

Temperature logger for F-Value-Calculation

EBI 100-T210/211

NEW

**DIN EN
13485**



Technical Data

Type	EBI 100-T210/211
Measuring range	-40°C ... +150°C (-40°F ... + 302°F)
Accuracy	±0.3°C
Resolution	0.1°C
Measuring channels	1 temperature channel external, radial
Operating temperature	-40 °C ... +150 °C
Storage temperature	-40 °C ... +70 °C
Sensor	Pt 1000
Memory	27.000 Measured values
Measurement mode	- Endless measuring immediately, - Start- /stop measurement, - Measure immediately until end of memory - Measure upon start temperature
Measuring rate	min: 1 sec, max: 24 h
Battery	Lithium cell ½ AA, exchangeable
Dimensions	48 x 48 x 24 mm
Housing material	Stainless steel (V4a), PEEK
Protection class	IP 68
Weight	ca. 70 g

EBI 100-T210/211



Applications

- Determination of F-value in canned goods production
- Monitoring of pasteurisation process
- Temperature-process monitoring in production

Attributes

- Temperature resistant up to +150°C
- Completely waterproof
- Different models available
- Factory calibration certificate
- Programming and evaluation with PC

Description	Type	Part No.
Temperature logger Ø3mm / L=50mm	EBI 100-T210	1340-6502
Temperature logger Ø3mm / L=75mm	EBI 100-T211	1340-6503

Remarks

Spare parts and accessories see page 56.

Temperature Logger for F-Value-Calculation

EBI 100-T23X



Technical Data	
Type	EBI 100-T23X
Measuring range	-40°C ... +150°C (-40°F ... + 302°F)
Accuracy	±0.3°C
Resolution	0.1°C
Operating temperature	-40 °C ... +150 °C
Storage temperature	-40 °C ... +70 °C
Sensor	Pt1000
Memory	27.000 measured values
Measurement mode	- Endless measuring immediately, - Start- /stop measurement, - Measure immediately until end of memory - Measure upon start temperature
Measuring rate	min: 1 sec, max: 24 h
Battery	Lithium cell ½ AA, exchangeable
Dimensions	48 x 48 x 24 mm
Housing material	Stainless steel (V4a), PEEK
Protection class	IP 68
Weight	ca. 70 g

EBI 100-T23X



Applications		
<ul style="list-style-type: none"> Determination of F-value in canned goods production 	<ul style="list-style-type: none"> Monitoring of pasteurisation process 	<ul style="list-style-type: none"> Temperature-process monitoring in production

Attributes		
<ul style="list-style-type: none"> Temperature resistant up to +150 °C Completely waterproof 	<ul style="list-style-type: none"> Different models available Factory calibration certificate 	<ul style="list-style-type: none"> Programming and evaluation with PC

Description	Type	Part No.
Temperature logger Ø3mm / L=50mm	EBI 100-T230	1340-6506
Temperature logger Ø3mm / L=75mm	EBI 100-T231	1340-6507
Temperature logger Ø3mm / L=100mm	EBI 100-T232	1340-6508
Temperature logger Ø3mm / L=150mm	EBI 100-T233	1340-6509

Remarks
Spare parts and accessories see page 56.

Temperature Logger for the Beverage Industry

EBI 100-T26x

NEW

**DIN EN
13485**



Technical Data

Type	EBI 100-T26x
Measuring range	-40°C ... +150°C (-40°F ... + 302°F)
Accuracy	±0,3°C
Sensor	1 temperature channel, external, axial
Operating pressure	up to 20 bar
Channels	1 channel
Resolution	0.1 °C
Measuring rate	1s ... 24h
Memory	27.000 measured values
Measurement mode	- Endless - Measure upon start time - Event steered measurement - Start immediately until end of memory - Start-/stop measurement
Battery	Lithium cell ½ AA, exchangeable
Dimensions	48 x 48 x 24 mm
Weight	70 g *
Housing material	Stainless steel (V4A) / PEEK
Protection class	IP 68 / NEMA 6

*Size and weight are shown for EBI 100 body only

EBI 100-T26x



Applications

- For wireless measurements in the beverage industry
- Bottle cleaning
- Core temperature measurement (PE-value)

Attributes

- Temperature resistant up to +150°C
- Battery exchangeable
- Completely waterproof (Protection class IP 68 / NEMA 6P)
- Factory calibration certificate
- 1 channel- (PE-value)

Description	Type	Part No.
Temperature logger, L: 135 mm, 1 Channel	EBI 100-T261	1340-6518
Temperature logger, L: 190 mm, 1 Channel	EBI 100-T262	1340-6519
Temperature logger, L: 245 mm, 1 Channel	EBI 100-T263	1340-6520
Temperature logger, L: 270 mm, 1 Channel	EBI 100-T264	1340-6521
Temperature logger, L: 300 mm, 1 Channel	EBI 100-T265	1340-6522

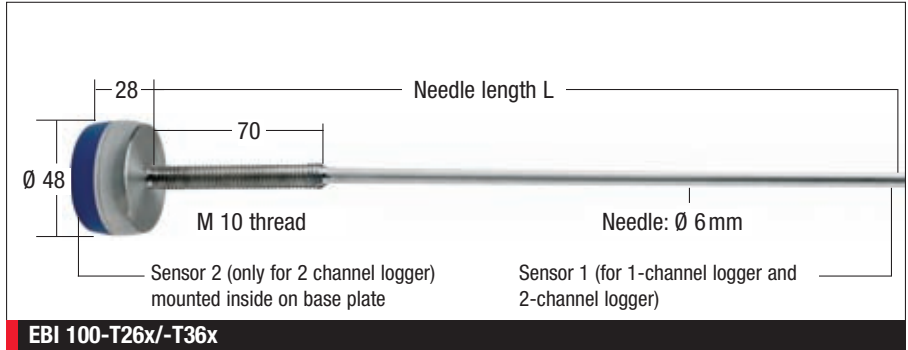
Remarks

Spare parts and accessories see page 42 and 56.

Temperature Logger for the Beverage Industry

EBI 100-T26x/-T36x for PE-Value Measurement

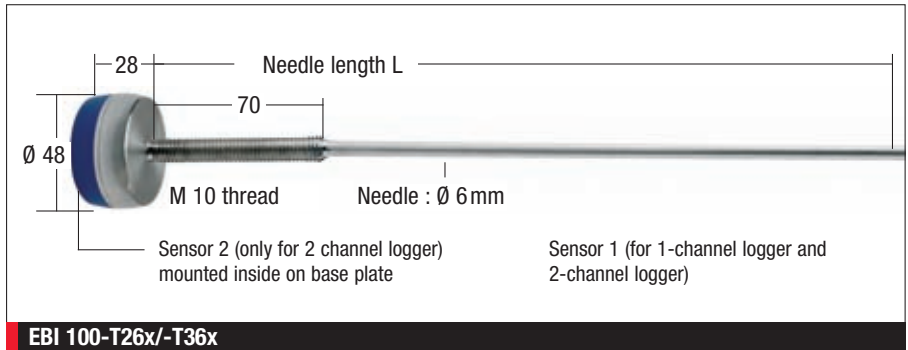
in bottles



Adapter EBI FL-S

EBI 100-T26x/-T36x

in cans



Adapter EBI DA

EBI 100-T26x/-T36x



EBI FL-1T

Also suitable for cans. Please indicate bottle type and bottle size when ordering



GDB dummy bottle

Other bottle sizes (NRW, etc.) on request



Data Logger for dummy bottle

EBI 100-T100 Data Logger
(-85°C ... +150°C / -121°F ... 302°F)

Description	Type	Part No.
Temperature logger (-85°C ... +150°C / -121°F ... 302°F)	EBI 10-T100	1340-6100
Bottle adapter, silicone	EBI FL-S	1340-1961
Can adapter	EBI DA	1340-1963
Bottle adapter	EBI FL-1T	1340-2185
Dummy bottle 1,5 l		on request
Dummy bottle 1,0 l		on request
Dummy bottle 0,7 l	GDB	1340-2250
Dummy bottle 0,5 l	NRW	1340-2252

EBI 100 Data Logger Sets

EBI 100

EBI 100-Food-Set / SL 4010 for food industry

NEW

The Temperature-Control-System for the Food Industry

This set contains:

- 1 x Temperature Data Logger EBI 100-T230
- 1 x Can adapter EBI DA-SET
- 1 x Interface EBI IF 100-1
- 1 x Software Winlog.pro
- 1 x Aluminum-case EBI TAK ALU



Description

EBI 100-FOOD Set

Type

SL 4010

Part No.

1340-6575

EBI 100-Pasteur-Set / SL 4110 for pasteurisation

NEW

The Temperature-Control-System for Pasteurisation

This set contains:

- 1 x Temperature Data Logger EBI 100-T261
- 1 x Bottle adapter EBI FL-S
- 1 x Can adapter EBI DA
- 1 x Interface EBI IF 100-1
- 1 x Software Winlog.pro
- 1 x Aluminum-case EBI TAK ALU



Description

EBI 100-PASTEUR Set

Type

SL 4110

Part No.

1340-6576

EBI 100-Clean-Set / SL 4210 for bottle cleaning

NEW

The temperature-monitoring- system for bottle cleaning

This set contains:

- 1 x Temperature Data Logger EBI 100-T100
- 1 x GDB perforated plate
- 1 x Interface EBI IF 100-1
- 1 x Software Winlog.pro
- 1 x Aluminum-case EBI TAK ALU



Description

EBI 100-CLEAN SET

Type

SL 4210

Part No.

1340-6577