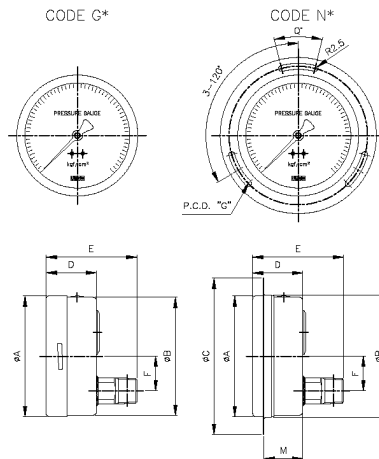




100mm Stainless Steel Pressure Gauge

Model: P252-4

Case and bezel material:	304 stainless steel liquid fillable
Connection:	316 Stainless steel
Bourdon tube material:	316 Stainless steel
Blowout protection:	rubber disc on the back
Over Range Protection:	130% of full scale
Working temperature:	Ambient = -40~60° C, Process = +200° C
Dial:	Aluminium, black print on white background
Ranges:	-100~0 kPa to 0~160000 kPa
Connection:	¼" NPT lower back mount & front flange
Window:	Laminated safety glass
Surge protection:	internal restrictor
Movement:	304 Stainless steel
Pointer:	micro-adjustable
Accuracy:	1.0% of full scale
Protection Rating:	IP65



Dimensions in mm

Dial Size	Available Code	A	B	C	D	E	F	G	M	Q
100mm	G*	101.3	99		50	83	29			
	N*	101.3	103.1	131	50	83	29	116	45	28

Range (in kPa)	Lower Back Mount Code N*	Range (in kPa)	Lower Back Mount Code N*	Accessories
-100-0	2701300	0-2500	2701324	Front Flange included
-100/+150	2701305	0-4000	2701326	P/N: 2701998
-100/+300	On request	0-6000	2701328	Glycerine Filling
-100/+500	On request	0-8000	2701330	P/N: 2701999
-100/+900	On request	0-10000	2701332	Polycarbonate Lens
-100/+1500	On request	0-16000	2701334	P/N: 2701992
0-100	2701310	0-25000	2701336	Adjustable Restrictor ¼" NPT M & F
0-160	2701312	0-40000	2701340	
0-250	2701314	0-60000	On request	P/N: 2911133
0-400	2701316	0-80000	On request	
0-600	2701317 **	0-100000	On request	
0-800	2701318	0-160000	On request	
0-1000	2701320			
0-1600	2701322	** = ½" BSPP		
Weight gms	560	Add 320 gms for glycerine filling		

Revision: 0115