

# VACUUM HANDLER®

## SALES GUIDE



### INTRODUCTION

Drain-All No-loss condensate traps provide unique, high quality, energy efficient, reliable product solutions for draining and moving liquids such as: (1) condensate removal from compressed air systems, (2) oils and lubricants from manufacturing or test equipment, and (3) liquids from atmospheric and vacuum systems. Drain-All condensate traps are produced under a certified ISO 9001 Quality Management System to ensure the product exceeds customer expectations.

Drain-All products are industrially robust, require little maintenance and since they do not require any electrical connections, can be easily installed on equipment at any point in a system. The unique design maintains a liquid barrier inside the trap which prevents the escape of costly process gas. As a result, no-loss condensate traps provide energy savings when compared to timer drains and manual valves. These patented devices are backed by an excellent warranty and a strong technical support staff who are available to assist customers in developing engineered solutions for all of their liquid drainage problems.

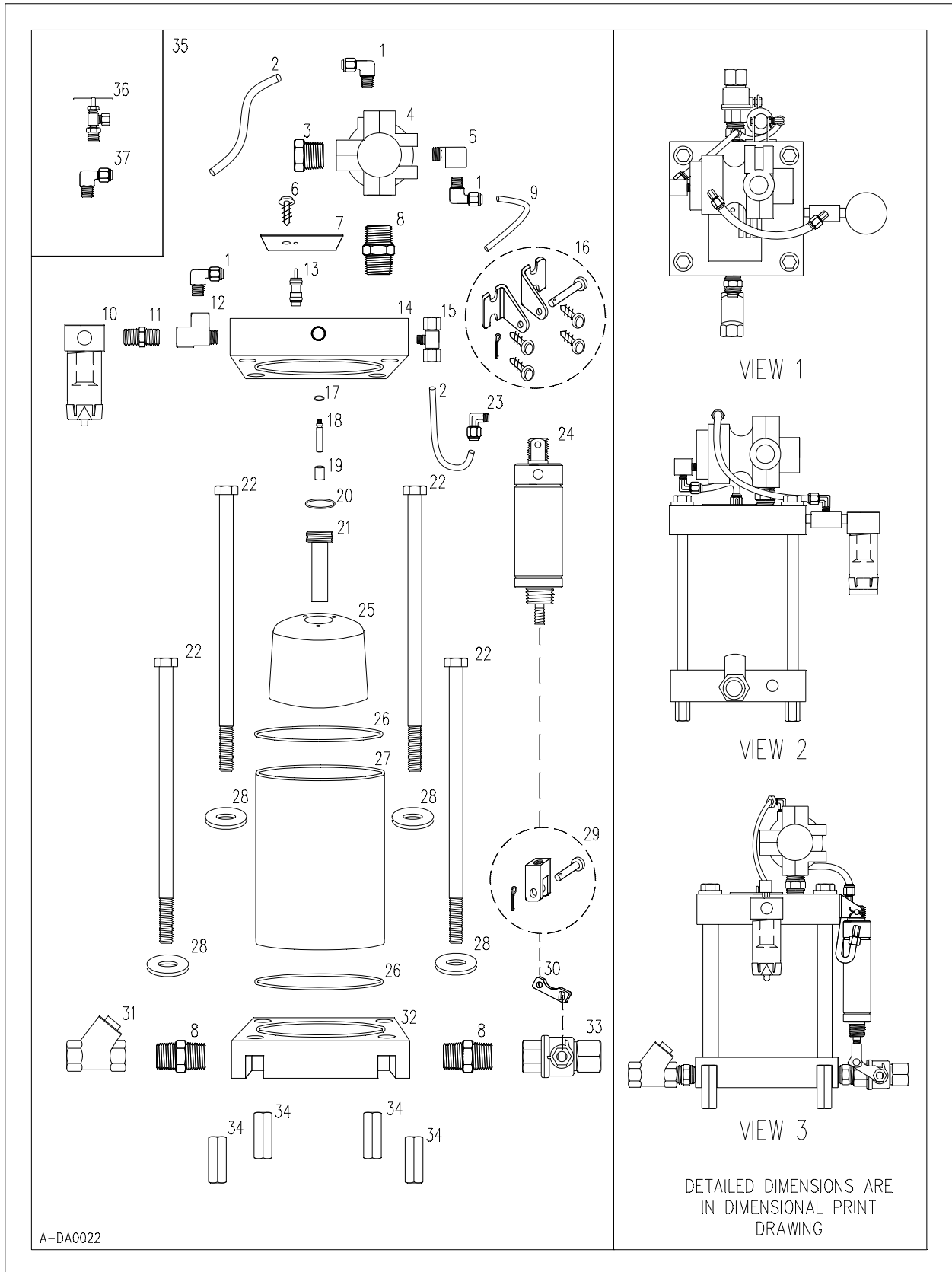
The Drain-All product line includes a wide array of products, options and accessories which enable customers to customize their particular liquid drainage systems. The Drain-All condensate drains are compatible with all manufactures of compressors, aftercoolers, filters/ separators, receivers and dryers.

### SPECIFICATIONS

Part Number	<b>UH50-0LA4A</b>
Max Liquid Temp - °F (°C)	170 (76.7)
Max Vacuum - in-Hg (mm-Hg)	28.5 (723.9)
Control Air Min – PSIG (BARG)	40 (2.8)
Control Air Max – PSIG (BARG)	130 (9.0)
Ht – inches (cm)	13-1/2 (34.3)
Width – inches (cm)	9-1/4 (23.5)
Depth (Inlet/BV) – inches (cm)	13-1/2 (34.3)
Inlet / Outlet – NPT	1/2
Control Air – NPT	1/4
Balance Line – NPT	1/2
Max Capacity - GPM (kg/hr)	0.35 (79) *
Weight – LBS (KG)	22.6 (10.3)

\* Varies with pressure/piping

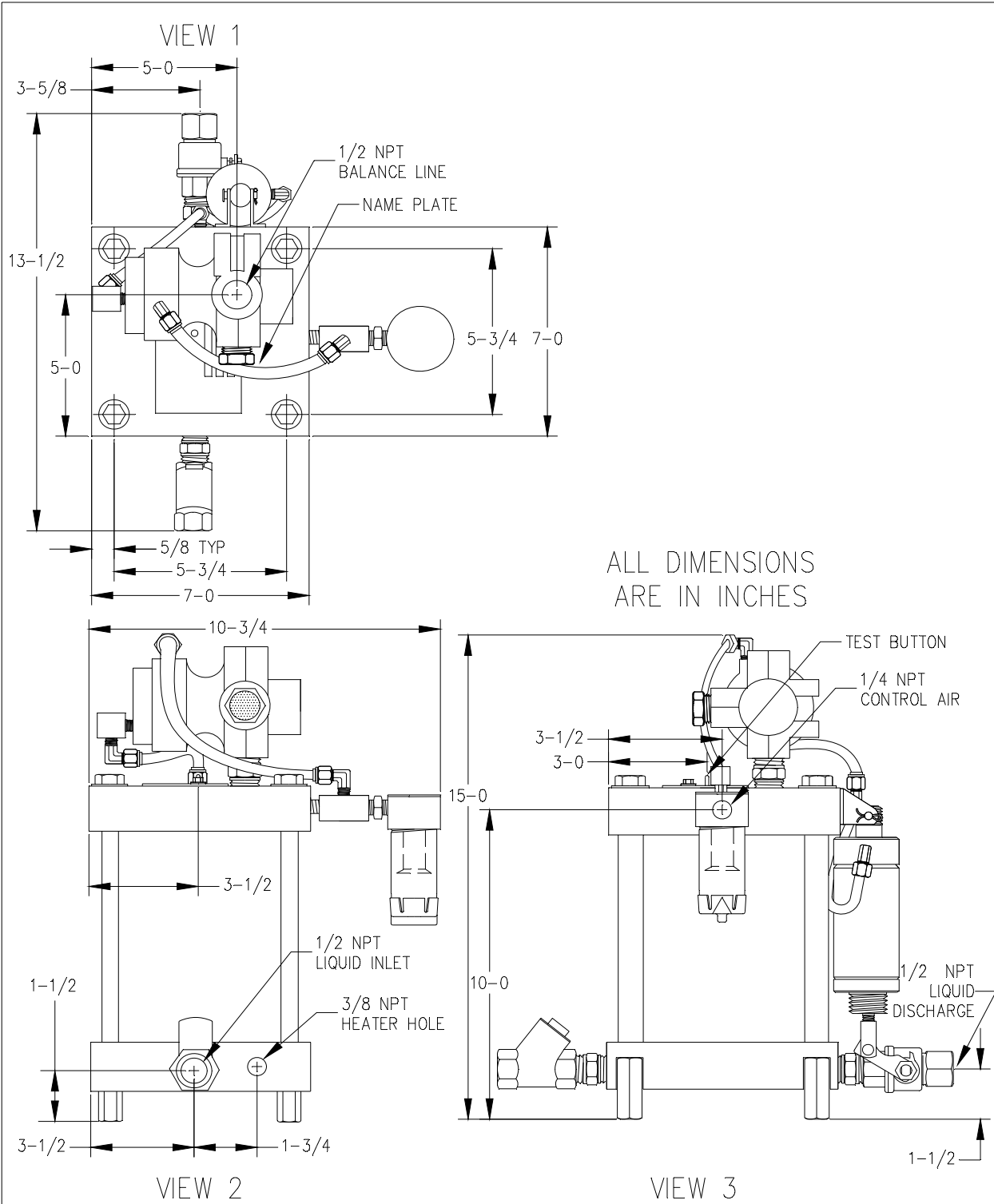
# COMPONENT PARTS DRAWING



# PARTS & MATERIALS OF CONSTRUCTION

CODE	PART #	ITEM	DESCRIPTION/REMARKS
1	301200	Elbow Fitting, 1/4" NPT - 1/4" Tube	Brass
2	350352	Control Air Tube, 1/4" Dia x 7" L	Nylon
3	301220	Port Screen, 1/2" NPT	Coated Steel Body, Bronze Screen
4	300750	3-way Valve, 1/2" NPT Ports	Aluminum
5	300130	Elbow Fitting, 1/4" NPT	Brass
6	302500	Screw, Self-Tapping	Zinc Plated Steel
7	302806	Name Plate	Aluminum
8	300900	Hex Nipple, 1/2" NPT	Brass
9	350354	Control Air Tube, 1/4" Dia x 4.0" L	Nylon
10	300700	Control Air Filter Assembly, 1/4" NPT	Aluminum Head, Polycarbonate Bowl, Push Drain
11	300800	Hex Nipple, 1/4" NPT	Brass
12	301127	Tee Fitting, 1/4" NPT	Brass
13	300600	Push To Test Button	Brass
14	170105	Head	Aluminum
15	301100	Tee Fitting, 1/8" NPT - 1/4" Tube	Brass
16	300301	Cylinder Mount Kit	Includes: (2) Brackets-Electroless Nickel Plated (4) Screws-Zinc Plated Steel (1) Mount Pin-Electroless Nickel Plated (1) Cotter Pin-Stainless Steel
17	302210	O-ring, Valve Stem	Viton, Brown
18	100730	Valve Stem	Aluminum
19	400100	Inner Magnet	Ceramic with Viton Ends and Covering
20	302215	O-ring, Center Tube	Viton, Brown
21	200170	Center Tube, 4.5" L	O-ring Seal, Aluminum
22	302270	Hex Bolt, 1/2" -13 x 10" L	Zinc Plated Steel
23	301000	Elbow Fitting, 1/8" NPT -1/4" Tube	Brass
24	300359	Pneumatic Cylinder, 2" Dia	40 - 130 PSI, Stainless Steel Body and Rod, Aluminum Ends
25	100480	Float	Polyurethane, Bullet Shaped
26	302200	Sleeve O-ring	Viton, Brown
27	100300	Sleeve .125" TK	Epoxy Fiberglass, Translucent
28	301570	Washer, 1/2" SAE	Zinc Plated Steel
29	300292	Clevis and Pin Kit	Includes: (1) Clevis-Electroless Nickel Plated (1) Clevis Pin-Electroless Nickel Plated (1) Cotter Pin-Stainless Steel
30	100807	Control lever	Stainless Steel for 1/2" NPT Ball Valve
31	300250	Check Valve, 1/2" NPT	Brass
32	170200	Base	Aluminum
33	300207	Heavy Duty Ball Valve, 1/2" NPT	Double O-ring Viton Stem Seals, Nickel Plated Brass
34	302370	Coupling Nut	Zinc Plated Steel
35	351135	Installation Kit	Includes: (1) Needle Valve-Brass (1) Elbow Fitting-Brass
36			
37			

# DIMENSIONAL PRINT



VH50