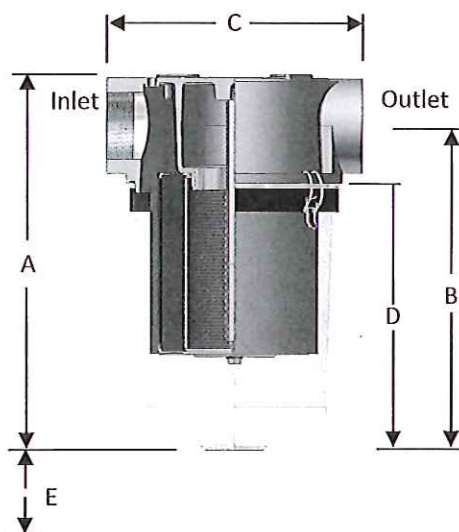




**SOLBERG®**

# "T" Style Vacuum Filters ST/CT Series 1" – 6" BSPP



## General Features

- Compact design for space restrictions; min. service area
- Inlet above element for extended element life & maintenance intervals
- Cast, corrosion resistant aluminum top with machined connections: - Integrated baffle design
- "T" style design minimizes piping requirements
- 2" to 6" only: 4 M12 taps for mounting brackets  
1/4" differential gauge ports:

## ST Series Specifications

- See-through bucket made from polycarbonate material
- Bucket has a high tensile strength for dimensional stability
- Temp ratings: - Complete assembly max: 104°C (220°F)  
- See-through bucket only max: 125°C (257°F)
- Increased holding capacity

## Technical Specifications

- Vacuum Rating: Gas tight seal
- Temp (continuous): min -26°C (-15°F) max 104°C (220°F)
- Filter change out differential: 37-50 mbar over initial Δ P
- Polyester: 99%+ removal efficiency standard to 5 micron
- Paper: 99%+ removal efficiency standard to 2 micron

## Options

- Swing bolts for heavy duty environments
- Epoxy coated housings
- Drain ports
- Spool piece extender on select models
- Pressure drop gauge

BSPP Inlet & Outlet	Assembly m <sup>3</sup> /h Rating	Assembly Part Number		Dimensions - mm				Suggested Service HT. E	Approx. Weight kg	Replacement Element Part No.		Element m <sup>3</sup> /h Rating
		Polyester	Paper	A	B	C	D			Polyester	Paper	
1"	68	ST-897-101C	ST-896-101C	340	303	178	264	228	5.0	897	896	196
1-1/4"	102	ST-897-126C	ST-896-126C	340	303	178	264	228	4.7	897	896	196
1-1/2"	136	ST-897-151C	ST-896-151C	340	303	178	264	228	4.6	897	896	196
2"	298	ST-851/1-201C	ST-850/1-201C	413	362	229	318	228	7.2	851/1	850/1	495
2-1/2"	357	ST-851/1-251C	ST-850/1-251C	413	362	229	318	228	6.8	851/1	850/1	495
3"	510	ST-235P-301C	ST-234P-301C	502	432	343	356	228	13	235P	234P	969
4"	884	ST-235P-401C	ST-234P-401C	502	432	343	356	228	11	235P	234P	969

## CT Series Specifications

- Carbon steel black enamel drop down bucket
- Swing bolts standard on 6" housings

BSPP Inlet & Outlet	Assembly m <sup>3</sup> /h Rating	Assembly Part Number		Dimensions - mm				Suggested Service HT. E	Approx. Weight kg	Replacement Element Part No.		Element m <sup>3</sup> /h Rating
		Polyester	Paper	A	B	C	D			Polyester	Paper	
1"	68	CT-897-101C	CT-896-101C	340	300	178	264	228	5.4	897	896	196
1-1/4"	102	CT-897-126C	CT-896-126C	340	300	178	264	228	5.2	897	896	196
1-1/2"	136	CT-897-151C	CT-896-151C	340	300	178	264	228	5.1	897	896	196
2"	298	CT-851-201C	CT-850-201C	330	276	229	229	228	7.2	851	850	495
2-1/2"	357	CT-851-251C	CT-850-251C	330	276	229	229	228	6.8	851	850	495
3"	510	CT-235P-301C	CT-234P-301C	473	410	343	330	228	14	235P	234P	969
4"	884	CT-235P-401C	CT-234P-401C	473	410	343	330	228	12	235P	234P	969
6"	1870	CT-275P-601C	CT-274P-601C	483	368	483	251	254	20	275P	274P	1870

See Vacuum Filter Technical Data section for sizing guidelines.

Dimension tolerance ± 6 mm

Note: Model offerings and design parameters may change without notice. See [www.solbergmfg.com](http://www.solbergmfg.com) for most current offering.