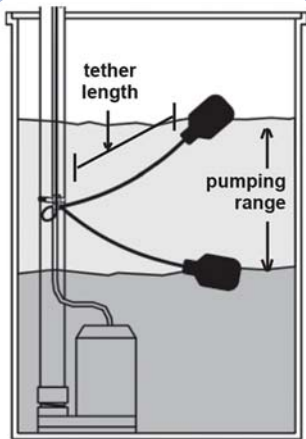


# Float Switches



Ross Brown Sales Pty. Ltd

ABN 28 000 690 362



# Ross Brown Sales Pty. Ltd.

Ross Brown Sales Pty Limited ("RBS") has been proudly servicing our customers since **1957** and continues to be one of Australia's leading suppliers of measurement and calibration instrumentation to the OEM, petrochemical, liquefied natural gas and food industries.

The company specialises in import/export and distribution of quality instrumentation throughout Australasia. We have highly committed and dedicated staff with extensive experience. Our exclusive distribution arrangements span the company's entire history and include the following trusted quality American and European manufacturers:

- o Ametek Pressure Temperature and motion technologies
- o Sika Pressure/Temperature/Flow
- o Condor Werke Pressure Switches
- o SJE Rhombus Wastewater level technologies
- o Control Devices Air Compressor Components
- o Drain All Condensate drains
- o ETI Ltd Temperature measurement technology
- o Ebro Electronic Temperature, Pressure & Humidity logging
- o Ritter Gas volume meters

RBS operates and maintains a NATA accredited Metrology Laboratory for Pressure for calibration and certification of pressure and vacuum devices covering the range -100kPa vacuum to 100,000kPa pressure.

Our in-house workshop provides repair and certification services for your pressure and temperature instruments.

At RBS, we pride ourselves on providing reliable, tested and proven quality product solutions and count amongst our customers some of Australia's most respected companies including;

Esso  
BP Australia  
Virgin Australia  
Santos  
Thermoking  
Woodside Energy  
Breville

ExxonMobil  
Australian Defence Force  
Rio Tinto  
Gorgon Gas  
Worley Parsons  
Mermaid Marine Services  
Farstad Shipping

Shell Australia  
Qantas  
Boyne Smelters  
Sandvick Mining  
Wood Group  
Alcoa  
Downer EDI



**QUALITY - RELIABILITY - SERVICE**

**WWW.ROSSBROWNSALES.COM.AU**

**SALES@ROSSBROWNSALES.COM.AU**

# SJE MICROMASTER® Pump Switch

Mechanically-activated, wide-angle switch designed for performance and dependability.

This mechanically-activated, wide-angle switch provides automatic control of pumps in:

- Potable water
- Water
- Sewage applications

This SJE MicroMaster® pump switch is not sensitive to rotation or turbulence allowing it to be used in both calm and turbulent applications.



## FEATURES

- Passed NSF Standard 61 protocol by an approved Water Quality Association laboratory.
- Mechanically-activated, snap action contacts.
- High impact, corrosion resistant, polypropylene float housing.
- Adjustable pumping range of 20 to 91 cm (8 to 36 inches).
- UL Recognized for use in water and sewage.
- CSA Certified.
- Three-year limited warranty.



## SPECIFICATIONS

### CABLE:

**125 VAC Piggy-back Plug:** flexible 18 gauge, 2 conductor (UL, CSA) SJOW, water-resistant, (CPE)

**250 VAC Piggy-back Plug:** flexible 16 gauge, 2 conductor (UL, CSA) SJOW, water-resistant, (CPE)

**FLOAT:** 7.0 cm diameter x 12.3 cm long (2.74 inch x 4.83 inch), high impact, corrosion resistant, polypropylene housing for use in water up to 60°C (140°F)

**MAXIMUM WATER DEPTH:** 9 meters (30 feet) or 90 kPa (13 psi)

### ELECTRICAL:

#### 125 VAC 50/60 Hz Single Phase:

**Maximum Pump Running Current:**  
10 amps

**Maximum Pump Starting Current:**  
60 amps

#### 250 VAC 50/60 Hz Single Phase:

**Maximum Pump Running Current:**  
10 amps

**Maximum Pump Starting Current:**  
60 amps

**NOTE:** This switch is not recommended for controlling:

- electric loads less than 100 milliamps, 12 VAC
- non-arcing electric loads

Switch must be used with pumps that provide integral thermal overload protection.

## OPTIONS

This switch is available:

- CE Compliant units available upon request.
- for pump down or pump up applications as specified by part number.
- with a 125 VAC or 250 VAC piggy-back plug.
- without a plug for direct wiring in 125 VAC or 250 VAC applications.
- in standard cable lengths of 3, 5, 6, or 10 meters and 10, 15, 20, or 30 feet (longer lengths available).
- with adjustable mounting clamp or cable weight.

### Ordering Information

RBS Stock Code		Description
P/Up	P/Down	
3710350	3710365	MicroMaster, 3mtr, 2 Wire, No Plug
3710355	3710370	MicroMaster, 5mtr, 2 Wire, No Plug
3710360	3710375	MicroMaster, 10mtr, 2 Wire, No Plug
	3710380	MicroMaster, 20mtr, 2 Wire, No Plug
	3710383	MicroMaster, 50mtr, 2 Wire, No Plug

	3710371	MicroMaster, 5mtr, With Plug*
	3710376	MicroMaster, 10mtr, With Plug*

### Accessories

3710499	Cable Weight 800g
---------	-------------------

\* Fitted with piggyback plug. Allows you to plug in the pump directly, no further wiring required.



**Ross Brown Sales Pty Ltd**

ABN 28 000 690 362

Phone: 612 9899 2744 Fax: 612 9899 4233

Email: [sales@rossbrownsales.com.au](mailto:sales@rossbrownsales.com.au)

Web: [www.rossbrownsales.com.au](http://www.rossbrownsales.com.au)

# SJE MICROMASTER® SPDT Pump Switch

**Mechanically-activated, wide-angle switch designed for performance and dependability.**

This mechanically-activated, wide-angle pump switch provides automatic control of pumps in:

- Potable Water
- Water
- Sewage applications

It can be wired to work in either pump down (normally open) or pump up (normally closed) applications. This SJE MicroMaster® SPDT pump switch is not sensitive to rotation or turbulence allowing it to be used in both calm and turbulent applications.



## FEATURES

- Passed NSF Standard 61 protocol by an approved Water Quality Association laboratory.
- Can be wired to work in either pump down (normally open) or pump up (normally closed) applications (**Single Pole, Double Throw**).
- Mechanically-activated, snap action contacts.
- High impact, corrosion resistant, polypropylene float housing.
- Adjustable pumping range of 20 to 91 cm (8 to 36 inches).
- UL Recognized for use in water and sewage.
- CSA Certified.
- Three-year limited warranty.



## SPECIFICATIONS

**CABLE:** flexible 18 gauge, 3 conductor (UL, CSA) SJOW, water-resistant, (CPE)

**FLOAT:** 7.0 cm diameter x 12.3 cm long (2.74 inch x 4.83 inch), high impact, corrosion resistant, polypropylene housing for use in water up to 60°C (140°F)

**MAXIMUM WATER DEPTH:** 10 meters (33 feet) or 90 kPa (13 psi)

### ELECTRICAL:

#### 125 VAC 50/60 Hz Single Phase:

**Maximum Pump Running Current:**  
10 amps

**Maximum Pump Starting Current:**  
60 amps

#### 250 VAC 50/60 Hz Single Phase:

**Maximum Pump Running Current:**  
8 amps

**Maximum Pump Starting Current:**  
60 amps

**NOTE:** This switch is not recommended for controlling:

- electric loads less than 100 milliamps, 12 VAC
- non-arcing electric loads

Switch must be used with pumps that provide integral thermal overload protection.

## OPTIONS

**This switch is available:**

- CE Compliant units available upon request.
- in standard cable lengths of 3, 5, 6, or 10 meters and 10, 15, 20, or 30 feet (longer lengths available).
- with adjustable mounting clamp or cable weight.

### Ordering Information

RBS Stock Code	Description
3710385	MicroMaster SPDT, 5mtr, 3 Wire, No Plug
3710390	MicroMaster SPDT, 10mtr, 3 Wire, No Plug
3710391	MicroMaster SPDT, 20mtr, 3 Wire, No Plug
3710392	MicroMaster SPDT, 30mtr, 3 Wire, No Plug
3710393	MicroMaster SPDT, 50mtr, 3 Wire, No Plug

### Accessories

3710499	Cable Weight 800g
---------	-------------------



### Ross Brown Sales Pty Ltd

ABN 28 000 690 362  
 Phone: 612 9899 2744 Fax: 612 9899 4233  
 Email: [sales@rossbrownsales.com.au](mailto:sales@rossbrownsales.com.au)  
 Web: [www.rossbrownsales.com.au](http://www.rossbrownsales.com.au)

# SJE PUMPMASTER® Pump Switch

**Mechanically-activated, wide-angle switch designed to control pumps up to 1/2 HP at 120 VAC and 1 HP at 230 VAC.**

This mechanically-activated, wide-angle pump switch provides automatic control of pumps in:

- potable water
- water
- sewage applications

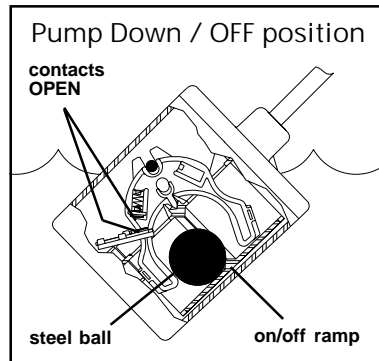
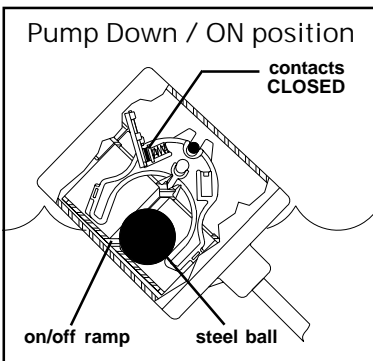
The SJE PumpMaster® pump switch is not sensitive to rotation or turbulence allowing it to be used in both calm and turbulent applications.



U.S. Patent Nos. 5,087,801 & 5,142,108

## FEATURES

- Passed NSF Standard 61 protocol by an approved Water Quality Association laboratory.
- Heavy-duty contacts.
- Controls pumps up to 1/2 HP at 120 VAC and 1 HP at 230 VAC.
- Adjustable pumping range of 7 to 36 inches (18 to 91 cm).
- Includes standard mounting clamp and boxed packaging.
- UL Recognized for use in water and sewage.
- CSA Certified.
- Three-year limited warranty.



## SPECIFICATIONS

**CABLE:** flexible 16 gauge, 2 conductor (UL, CSA) SJOW, water-resistant (CPE)

**FLOAT:** 3.05 inch diameter x 3.56 inch long (7.75 x 9.04 cm) high impact, corrosion resistant, PVC housing for use in sewage and water up to 140°F (60°C)

### ELECTRICAL:

#### 120 VAC 50/60Hz Single Phase:

**Maximum Pump Running Current:**

13 amps

**Maximum Pump Starting Current:**

85 amps

**Recommended Pump HP:**

1/2 HP or less

#### 230 VAC 50/60Hz Single Phase:

**Maximum Pump Running Current:**

13 amps

**Maximum Pump Starting Current:**

85 amps

**Recommended Pump HP:**

1 HP or less

**Note:** This switch must be used with pumps that provide integral thermal overload protection.

## OPTIONS

**This switch is available:**

- for pump down or pump up applications as specified by part number.
- with a 120 VAC or 230 VAC piggy-back plug.
- without a plug for direct wiring in 120 VAC or 230 VAC applications.
- in standard cable lengths of 10, 15, 20, or 30 feet and 3, 5, 6, or 10 meters (longer lengths available).

## Ordering Information

RBS Stock Code		Description
P/Up	P/Down	
3710020	3710120	PumpMaster, 3mtr, No Plug
3710025	3710125	PumpMaster, 5mtr, No Plug
3710030	3710130	PumpMaster, 10mtr, No Plug

	3710121	PumpMaster, 3mtr, With Plug*
3710026	3710126	PumpMaster, 5mtr, With Plug*
3710031	3710131	PumpMaster, 10mtr, With Plug*

### Accessories

3710499	Cable Weight 800g
---------	-------------------

\* Fitted with piggyback plug. Allows you to plug in the pump directly, no further wiring required.



**Ross Brown Sales Pty Ltd**

ABN 28 000 690 362  
 Phone: 612 9899 2744 Fax: 612 9899 4233  
 Email: [sales@rossbrownsales.com.au](mailto:sales@rossbrownsales.com.au)  
 Web: [www.rossbrownsales.com.au](http://www.rossbrownsales.com.au)

# SJE QUEST™ Pump Switch

Mechanically-activated, wide-angle pump switch designed for performance and dependability.

This mechanically-activated, wide-angle pump switch provides automatic control of pumps in non-potable water applications.

Includes innovative one-piece cable weight for mounting.



## FEATURES

- Mechanically-activated, snap action contacts.
- Non-toxic, corrosion resistant, polypropylene float housing.
- Adjustable pumping range of 23 to 91 cm (9 to 36 inches).
- Includes an innovative one-piece cable weight for mounting; no clip to lose.
- CE Certified.
- Two-year limited warranty.



## SPECIFICATIONS

**CABLE:** H07 RN 1mm<sup>2</sup> 2 or 3 conductor (H05 VV also available)

**FLOAT:** 7.7 x 13 x 4 cm (3 x 5 x 1.6 in) non-toxic, corrosion resistant, polypropylene housing for use up to 55°C (131°F)

**MAXIMUM WATER DEPTH:** IPX8 rated to 10 meter (33 feet)

**ELECTRICAL:**  
10 (8) amp  
250 VAC  
50 Hz/60 Hz  
Micro disconnect  
Function Class I and II

**NOTE:** This switch is not recommended for controlling:

- electric loads less than 100 milliamps, 12 VAC
- non-arcing electric loads

Switch must be used with pumps that provide integral thermal overload protection.

# SJE Rhombus

## OPTIONS

**This switch is available:**

- In 3-wire SPDT version, normally open for pump down and normally closed for pump up (Function, Class II).
- In 3-wire version with ground plate, normally open for pump down (Function, Class I); normally closed for pump up version available upon request.
- In 2-wire version without ground plate, normally open for pump down (Function, Class II); normally closed for pump up version available upon request.
- In standard H07 rubber cable length of 3, 5 or 10 meters (10, 15 or 30 feet); H05 PVC cable versions available upon request.

## Ordering Information

RBS Stock Code	Description
3710804	Quest, 3mtr, p/down
3710806	Quest, 5mtr, p/down
3710808	Quest, 10mtr, p/down
3710812	Quest, 20mtr, p/down
3710824	Quest, 3mtr, SPDT
3710826	Quest, 5mtr, SPDT
3710828	Quest, 10mtr, SPDT



**Ross Brown Sales Pty Ltd**

ABN 28 000 690 362  
Phone: 612 9899 2744 Fax: 612 9899 4233  
Email: [sales@rossbrownsales.com.au](mailto:sales@rossbrownsales.com.au)  
Web: [www.rossbrownsales.com.au](http://www.rossbrownsales.com.au)

# SJE VERTICALMASTER® II Pump Switch

Mechanically-activated, pump switch designed to operate in sump applications with limited space.

This mechanically-activated pump switch is designed to operate in non-potable water with limited space. It works well in small sump chambers and laundry trays, as well as in large tanks. This switch is not recommended for a sewage environment.

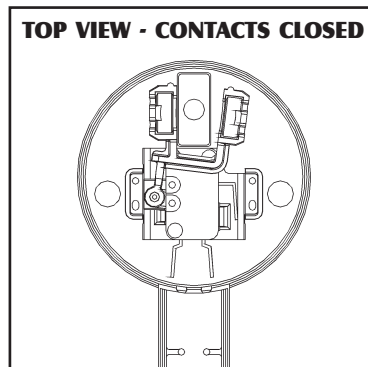
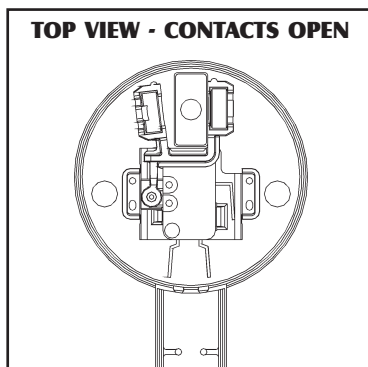
The SJE VerticalMaster® II pump switch is not sensitive to turbulence.

It is available for pump down application only.



## FEATURES

- Adjustable pumping range of 2 to 17 cm (.75 to 6.5 inches).
- Includes standard boxed packaging.
- UL Recognized for use in non-potable water.
- CSA Certified.
- Three-year limited warranty.



## SPECIFICATIONS

**CABLE:** flexible 18 gauge, 2 conductor (UL, CSA) SJOW

**MOUNTING BRACKET & HOSE CLAMP:** stainless steel

**LIFT ROD:** injection molded acetal plastic

**FLOAT STOP:** neoprene

**SWITCH AND FLOAT HOUSING:** high impact, corrosion resistant, PVC housing for use in non-potable water up to 52°C (125°F)

**Overall dimensions:** 30.5 cm high x 12.7 cm x 7.6 cm wide (12 inch high x 5 inch x 3 inch wide)

**Switch housing dimensions (excluding cable entrance):** 5 cm high x 7.1 cm diameter (2 inch high x 2.8 inch diameter)

**Float housing dimensions:** 6.4 cm high x 6.9 cm diameter (2.5 inch high x 2.7 inch diameter)

### ELECTRICAL:

**125/250 VAC 50/60Hz Single Phase:**

**Maximum Pump Running Current:** 10 amps

**Maximum Pump Starting Current:** 60 amps

**NOTE:** This switch must be used with pumps that provide integral thermal overload protection. This switch is **NOT** recommended for non-arcing electrical loads.

## OPTIONS

This switch is available:

- CE Compliant units available upon request.
- in standard cable lengths of 3, 5, 6, and 10 meters (10, 15, 20, or 30 feet)

### Ordering Information

RBS Stock Code Pump Down	Description
3710190	Vertical Master II, 3mtr, No Plug
3710195	Vertical Master II, 5mtr, No Plug
3710200	Vertical Master II, 10mtr, No Plug

3710191	Vertical Master II, 3mtr, With Plug*
3710196	Vertical Master II, 5mtr, With Plug*

\* Fitted with piggyback plug. Allows you to plug in the pump directly, no further wiring required.



**Ross Brown Sales Pty Ltd**

ABN 28 000 690 362

Phone: 612 9899 2744 Fax: 612 9899 4233

Email: [sales@rossbrownsales.com.au](mailto:sales@rossbrownsales.com.au)

Web: [www.rossbrownsales.com.au](http://www.rossbrownsales.com.au)

# SJE SIGNALMASTER® Control Switch

**Mechanically-activated, narrow-angle float switch designed to activate pump control panels and alarms.**

This narrow-angle sensing device is used to accurately monitor liquid levels in:

- Potable water
- Water
- Sewage applications

The SJE SignalMaster® control switch is not sensitive to rotation.

## Normally Open Model (high level)

The control switch turns on (closes) when the float tips slightly **above** horizontal signaling a high level, and turns off (opens) when the float drops slightly below horizontal.

## Normally Closed Model (low level)

The control switch turns on (closes) when the float tips slightly **below** horizontal signaling a low level, and turns off (opens) when the float tips slightly above horizontal.



## FEATURES

- Passed NSF Standard 61 protocol by an approved Water Quality Association laboratory.
- Mechanically-activated, snap action contacts.
- High impact, corrosion resistant, polypropylene float housing.
- Not sensitive to rotation.
- Control differential of 4 cm (1.5 inches) above or below horizontal.
- UL Listed for use in water and sewage.
- CSA Certified.
- Three-year limited warranty.



## OPTIONS

**This switch is available:**

- CE Compliant units available upon request.
- for normally open (high level) applications or normally closed (low level) applications.
- in standard cable lengths of 3, 5, 6 or 10 meters and 10, 15, 20, or 30 feet (longer lengths available).
- with two mounting options that allow for flexibility in installation:

**Mounting Clamp:** for applications where the switch can be attached to a discharge pipe or similar mounting device.

**Externally Weighted:** for applications where the switch can be suspended from above.

## SPECIFICATIONS

**CABLE:** flexible 18 gauge, 2 conductor (UL, CSA) SJOW, water-resistant, (CPE)

**FLOAT:** 7.0 cm diameter x 12.3 cm long (2.74 inch x 4.83 inch), high impact, corrosion resistant, polypropylene housing for use in sewage and water up to 60°C (140°F)

**MAXIMUM WATER DEPTH:** 9 meters (30 feet), 90 kPa (13 psi)

**ELECTRICAL:** 125/250 VAC, 50/60 Hz, 5 amps

**NOTE:** This switch is not recommended for controlling:

- electric loads less than 100 milliamps, 12 VAC
- non-arcing electric loads

## Ordering Information

RBS Stock Code	Description
3709082	10mtr, SPDT, 3 Wire, No Plug, Narrow Angle



**Ross Brown Sales Pty Ltd**

ABN 28 000 690 362  
Phone: 612 9899 2744 Fax: 612 9899 4233  
Email: [sales@rossbrownsales.com.au](mailto:sales@rossbrownsales.com.au)  
Web: [www.rossbrownsales.com.au](http://www.rossbrownsales.com.au)



# SJE MILLIAMPMASTER® Control Switch

**Mechanically-activated control switch designed to activate low current control panels and alarms.**

This wide-angle control switch offers reliable low current control for AC and DC applications in potable water, wastewater, and sewage. The internal switching mechanism has sealed gold cross-point contacts for reliable low current operation. Common applications include PLC (programmable logic controller) panels, IS panels with intrinsically safe barriers, solar applications, and other low current control panels and alarms applications.

## Normally Open Model (high level)

The control switch turns on (closes) when the float tips 45 degrees **above** horizontal signaling a high level, and turns off (opens) when the float drops 45 degrees below horizontal.

## Normally Closed Model (low level)

The control switch turns on (closes) when the float drops 45 degrees **below** horizontal signaling a low level, and turns off (opens) when the float tips 45 degrees above horizontal.



## FEATURES

- Passed NSF Standard 61 protocol by an approved Water Quality Association laboratory.
- Low current, non-arching applications down to 0.160 mA at 125 VAC.
- Mechanically-activated, snap action contacts.
- High impact, corrosion resistant polypropylene float housing.
- Not sensitive to rotation.
- Control differential of 45 degrees above or below horizontal.
- UL Listed for use in non-potable water and sewage.
- CSA Certified.
- Three-year limited warranty.



## OPTIONS

**This switch is available:**

- for normally open (high level) applications or normally closed (low level) applications.
- in standard cable lengths of 10, 15, 20, or 30 feet.
- with two mounting options that allow for flexibility in installation:

**Mounting Clamp:** for applications where the switch can be attached to a discharge pipe or similar mounting device.

**Externally Weighted:** for applications where the switch can be suspended from above.

## SPECIFICATIONS

**CABLE:** flexible 18 gauge, 2 conductor (UL,CSA) SJOW, water-resistant (CPE) jacket

**FLOAT:** 2.74 inch diameter x 4.83 inch long (7.0 cm x 12.3 cm), high-impact, corrosion resistant, polypropylene housing for use in sewage and water up to 140°F (60°C)

**MAXIMUM WATER DEPTH:** 30 feet (9 meters), 13 psi

### ELECTRICAL:

#### 125 VAC

**Maximum Electrical Load:**  
0.1 amps

**Minimum Electrical Load:**  
0.160 milliamps

#### 30 VDC

**Maximum Electrical Load:**  
0.1 amps

**Minimum Electrical Load:**  
0.160 milliamps

#### 5 VDC

**Minimum Electrical Load:**  
1 milliamps



## Ordering Information

RBS Stock Code	Description
3710607	10mtr, Normally Open, 2 Wire, Narrow Angle
3710615	10mtr, Normally Closed, 2 Wire, Narrow Angle

## Accessories

3710499	Cable Weight 800g
---------	-------------------



**Ross Brown Sales Pty Ltd**

ABN 28 000 690 362  
Phone: 612 9899 2744 Fax: 612 9899 4233  
Email: [sales@rossbrownsales.com.au](mailto:sales@rossbrownsales.com.au)  
Web: [www.rossbrownsales.com.au](http://www.rossbrownsales.com.au)

# TANK ALERT® XT Indoor/Outdoor Alarm (240 VAC)

Versatile, indoor or outdoor liquid level alarm system.

This alarm system monitors liquid levels in lift pump chambers, sump pump basins, holding tanks, sewage, agricultural, and other non-potable water applications.

The Tank Alert® XT indoor/outdoor alarm can serve as a high or low level alarm depending on the float switch model used.

The alarm horn sounds and the red beacon illuminates when a potentially threatening liquid level condition occurs. A "power on" light on the switch indicates power to the alarm panel.



## FEATURES

- Enclosure meets Type 3R water-tight standard.
- Automatic alarm reset, horn silence switch, and alarm test switch.
- Alarm horn sounds at 85 decibels at 3 meters (10 feet).
- Alarm system (when installed on separate circuit) operates even if pump circuit fails.
- Complete package includes standard Sensor Float® control switch with 4.57 meters (15 feet) of cable (other lengths available) and mounting clamp.
- Three-year limited warranty.



## SPECIFICATIONS

**VOLTAGE:** 220-240 VAC, 50/60 Hz

**ALARM ENCLOSURE:** 16.51 cm x 11.43 cm x 7.62 cm (6.5 inch x 4.5 inch x 3 inch), indoor-outdoor, weatherproof, thermo-plastic

**AUXILIARY ALARM CONTACTS (OPTIONAL):** 240 VAC, 50/60 Hz, 5 amps

**TERMINAL BLOCK (OPTIONAL):** 240 VAC, 20 amps

**ALARM HORN:** 82 decibels at 3 meters (10 feet)

**FLOAT SWITCH:** SJE SignalMaster® control switch with mounting clamp  
**Cable:** 4.57 meters (15 feet) of flexible 18 gauge, 2 conductor SJOW (UL,CSA), water-resistant, chlorinated polyethylene (CPE)  
**Float:** 7.0 cm x 12.3 cm (2.74 inch diameter x 4.83 inch long) high impact corrosion resistant polypropylene for use in sewage and non-potable water up to 60°C (140°F)  
**Switch:** 125/250 VAC, 50/60 Hz, 5 amps

## OPTIONS

When ordered with the alarm, this system is available with:

- alternate float switch models for high or low liquid level warning.
- auxiliary dry normally open contacts for easy attachment of remote devices.
- premounted terminal block so enclosure can also be used as a junction box for splicing pump, pump switch, and pump power. Meets NEC standard for junction boxes.
- 1.8 meter (6 feet) power cord and liquid-tight connectors.

### Ordering Information

RBS Stock Code	Description
3710492	Tank Alert XT 240V
3710493	Tank Alert XT Incl. Power Lead & Plug
3710495	Tank Alert XT + Terminal Block
3710496	Tank Alert XT + Terminal Block + High Level SignalMaster 5mtr
3710497	Tank Alert XT + Terminal Block + Low Level SignalMaster 5mtr

### Accessories

3710499	Cable Weight 800g
---------	-------------------



**Ross Brown Sales Pty Ltd**

ABN 28 000 690 362  
Phone: 612 9899 2744 Fax: 612 9899 4233  
Email: [sales@rossbrownsales.com.au](mailto:sales@rossbrownsales.com.au)  
Web: [www.rossbrownsales.com.au](http://www.rossbrownsales.com.au)

# ACCESSORIES

Cable Weight, Cable Connectors, Hub Assembly, Cord Seal, and Float Bracket.

## CABLE WEIGHT

Provides an accurate pivot point for suspended float switches.

- Gripper teeth on clip and weight channel securely lock float cable into place
- Cable Weight can be adjusted without the use of tools

**HOUSING:** 0.8 kgs. (1 pound, 12 ounce), 7.1 cm diameter x 8.4 cm long (2.8 inch diameter x 3.3 inch long), impact resistant, non-corrosive, PVC housing for use in liquids up to 60°C (140°F)

**CLIP:** injection molded acetal plastic

**WIRE/CABLE ACCOMMODATED:** SJOW, SJTW, 18/2, 18/3, 16/2, 16/3, 14/2, and 14/3



## HUB ASSEMBLY

**Terminal Adapter.**

- Available in 2.54, 3.81, 5.08 cm (1, 1.5, and 2 inch) sizes
- UL Approved and CSA Certified terminal adapter

**TERMINAL ADAPTER (HUB):** PVC

**GASKET:** neoprene

**LOCK NUT:** metal



## CORD SEAL

Provides strain relief and a liquid-tight seal.

- Seal 1-3 cables in 5.08 cm (2 inch) terminal adapters
- 2 PVC plugs included (for unused cable positions)
- Ground wire

**SEAL:** neoprene

**WASHERS:** stainless steel

**NUT AND BOLT:** stainless steel

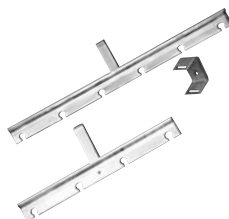
**WIRE/CABLE ACCOMMODATED:** SJOW, SJTW, 18/2, 18/3, 16/2, 16/3, 14/2, and 14/3



## FLOAT BRACKET

Provides convenient installation of float switches.

- Six Float Bracket supports 1-6 floats
- Four Float Bracket supports 1-4 floats
- Can be directly mounted to wall or used with wall mounting device
- Provides convenient location to stow excess float cord
- Supplied with UL Recognized cord strain relief connectors



**METAL COMPONENTS:** all metal components are made of 300 series stainless steel

**STRAIN RELIEF CONNECTORS:** accommodate 18/2, 18/3, 16/2, 16/3, SJOW and SJTW cords

## CABLE CONNECTORS

Provides strain relief and a liquid-tight seal.

- UL Approved and CSA Certified



UL  SF  VDE Approved

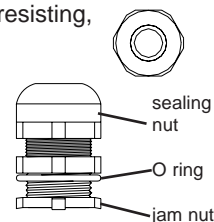
## ROUND CABLE SPECIFICATIONS

**MATERIAL:** polyimide flame-resisting, self-extinguishing plastic

**O-RING:** neoprene plastic

**HOLE REQUIREMENT:**

NPT threaded OR  
clearance holes  
(jam nut included)



**RCC-8**

**NPT Hub:** 1.27 cm (.50 inch)

**Maximum Diameter:** 1.22 cm (.480 inch)

**Minimum Diameter:** .68 cm (.270 inch)

**Wire/Cable (AWG) Accommodated:**

18/2, 18/3, 18/4, 16/2, 16/4, 14/2, and 14/3

**RCC-12**

**NPT Hub:** 1.90 cm (.75 inch)

**Maximum Diameter:** 1.80 cm (.709 inch)

**Minimum Diameter:** 1.38 cm (.545 inch)

**Wire/Cable (AWG) Accommodated:**

14/2, 14/3, 14/4, 12/2, 12/3, 12/4, 10/2  
and 10/3

**RCC-16**

**NPT Hub:** 2.54 cm (1.0 inch)

**Maximum Diameter:** 2.49 cm (.98 inch)

**Minimum Diameter:** 1.80 cm (.71 inch)

**Wire/Cable (AWG) Accommodated:**

Round cable with outside diameter within  
range identified above.

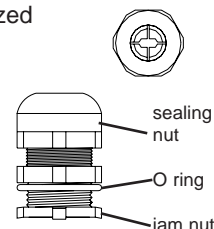
## FLAT UF CABLE SPECIFICATIONS

**MATERIAL:** weather-stabilized thermoplastic

**O-RING:** neoprene plastic

**HOLE REQUIREMENT:**

NPT threaded OR  
clearance holes  
(jam nut included)



**UFCC-8**

**NPT Hub:** 1.27 cm (.50 inch)

**Maximum:** .66 cm x 1.42 cm (.26 inch  
x .56 inch) slot

**Wire/Cable (AWG) Accommodated:**

14/2, 12/2, and 10/2

**UFCC-12**

**NPT Hub:** 1.90 cm (.75 inch)

**Maximum:** .66 cm x 1.42 cm (.26 inch  
x .56 inch) slot

**Wire/Cable (AWG) Accommodated:**

14/3 and 12/3



**Ross Brown Sales Pty Ltd**

ABN 28 000 690 362

Phone: 612 9899 2744 Fax: 612 9899 4233

Email: [sales@rossbrownsales.com.au](mailto:sales@rossbrownsales.com.au)

Web: [www.rossbrownsales.com.au](http://www.rossbrownsales.com.au)