



# MHN 4-1/2" Wound Field (114mm)

12 and 24 volt, 1 to 4.6 hp @ up to 5400 RPM

## Standard or heavy duty intermittent motor

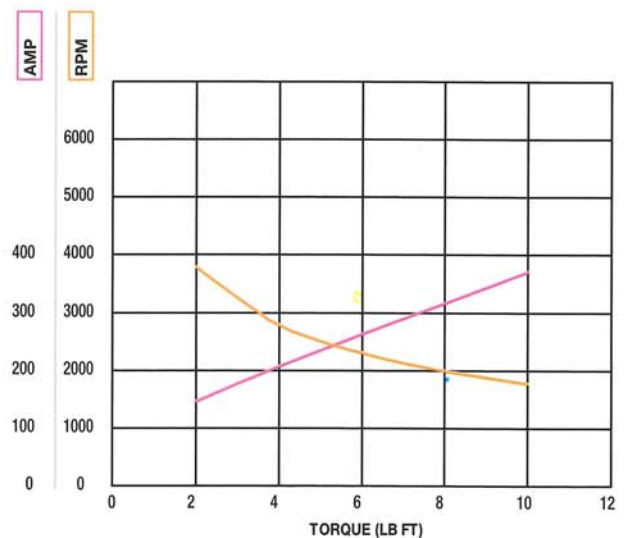
The 4-1/2" motor is a totally enclosed 12 or 24-volt motor designed for pump, winch and drive applications. This motor can be series or compound wound to suit the application. It provides reliable power while its rugged, IP54 construction withstands hostile environments.

All of these motors have permanently lubricated ball bearings with high temperature grease.

Motors can be unidirectional or bidirectional for pumps and traction applications. The heavy duty option adds significant on time for the most demanding applications.



## Typical Performance Curve



## MHN Type Motor Performance

V	T (lb-ft)	Amps	RPM	HP
12	0	52	9940	N/A
12	1	95	4513	.86
12	2	132	3400	1.29
12	4	190	2512	1.91
12	6	243	2047	2.34
12	8	292	1741	2.65
12	10	339	1544	2.94



## Ross Brown Sales Pty. Ltd

ABN 28 000 690 362  
21 Brookhollow Ave, Baulkham Hills NSW 2153  
PO Box 6345 BHBC NSW 2153 Australia  
Phone: (02) 9899 2744 Fax: (02) 9899 4233  
Email: sales@rossbrownsales.com.au  
Website: www.rossbrownsales.com.au



# MHN 4-1/2" Wound Field (114mm)

12 and 24 volt, 1 to 4.6 hp @ up to 5400 RPM

## Specifications

- Insulation type and grade - Class F
- Rotation - Unidirectional and bidirectional
- Intermittent duty
- UL listed available
- 12 or 24 Volt
- Standard or heavy duty

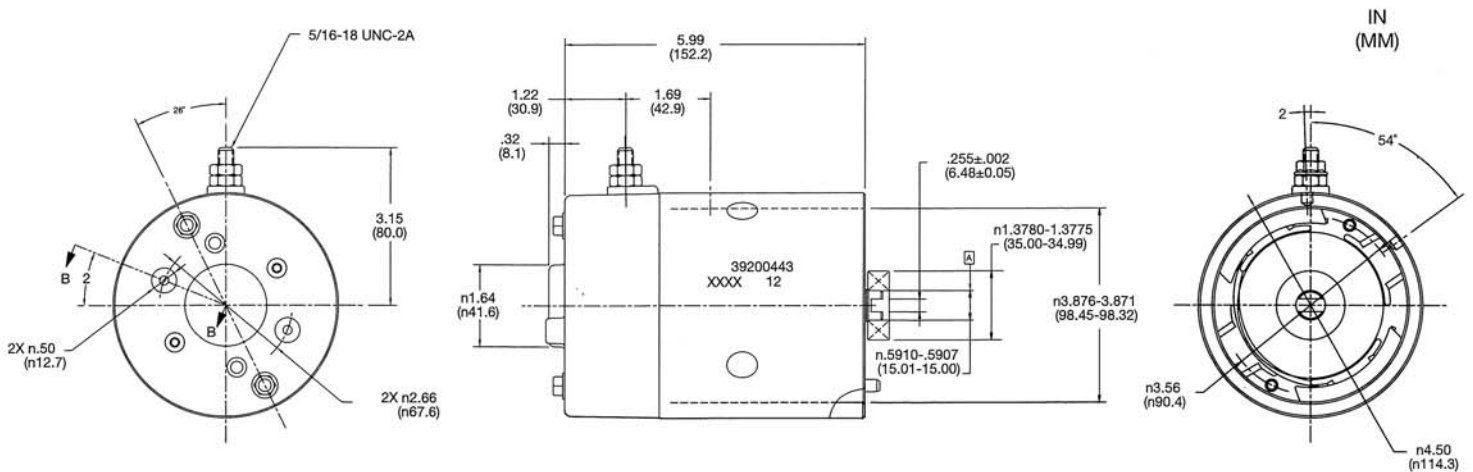
## Construction

- Dual bearing
- One, two, or three terminals
- IP54 enclosed frame
- Foot or face mount
- Powder Coat paint
- Armature retention

## Options

- Isolated ground
- Shaft configuration - per customer request
- Solenoid mounting available
- Internal corrosion protected
- Thermal protection
- Solenoid mounting

## OVERALL DIMENSIONS



Ross Brown Sales Pty. Ltd

ABN 28 000 690 362  
 21 Brookhollow Ave, Baulkham Hills NSW 2153  
 PO Box 6345 BHBC NSW 2153 Australia  
 Phone: (02) 9899 2744 Fax: (02) 9899 4233  
 Email: sales@rossbrownsales.com.au  
 Website: www.rossbrownsales.com.au



**AMETEK**<sup>®</sup>  
 FLOORCARE & SPECIALTY MOTORS