

# TEMPERATURE HANDLER® 350

## SALES GUIDE



### INTRODUCTION

Drain-All No-loss condensate traps provide unique, high quality, energy efficient, reliable product solutions for draining and moving liquids such as: (1) condensate removal from compressed air systems, (2) oils and lubricants from manufacturing or test equipment, and (3) liquids from atmospheric and vacuum systems. Drain-All condensate traps are produced under a certified ISO 9001 Quality Management System to ensure the product exceeds customer expectations.

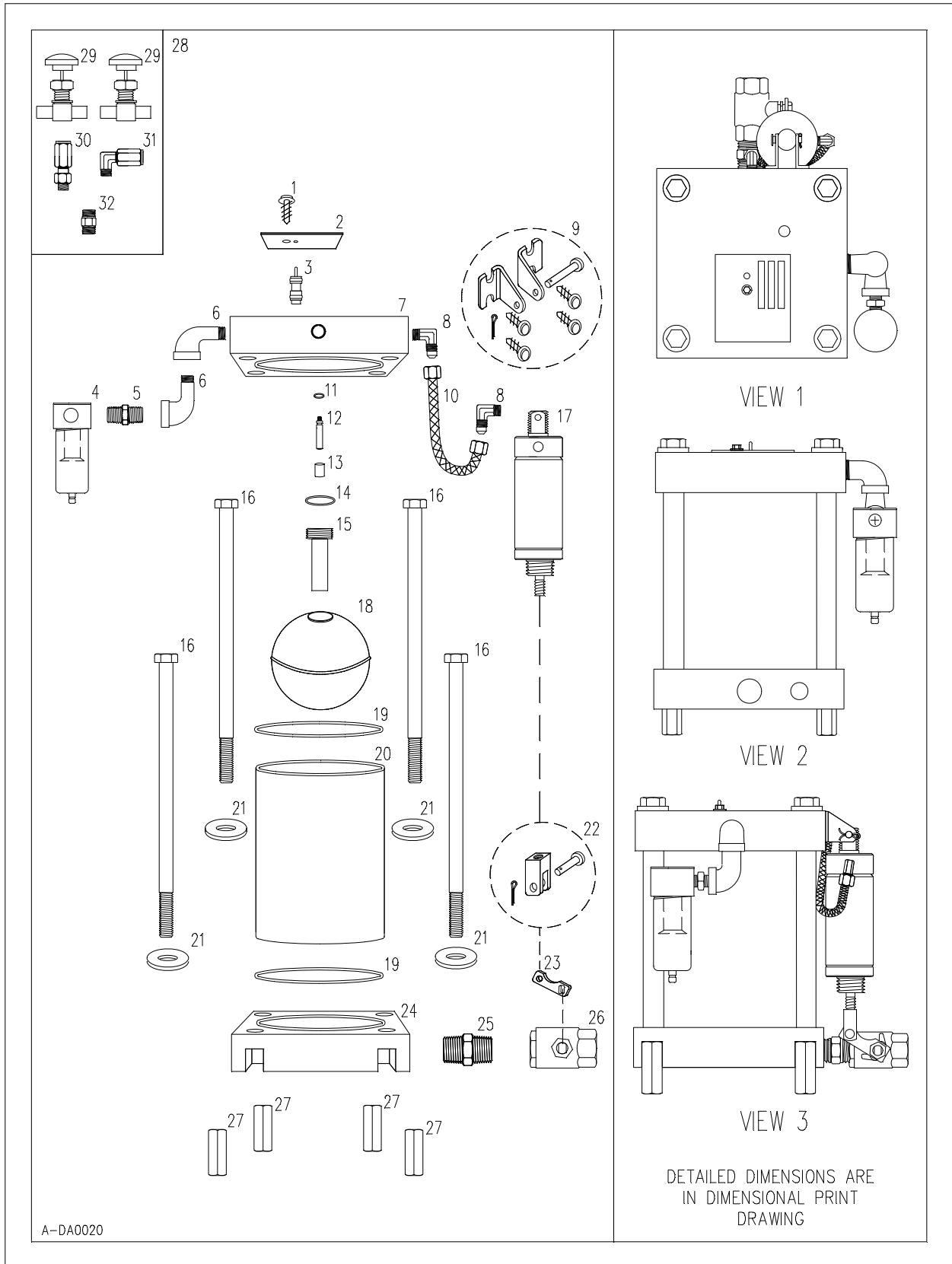
Drain-All products are industrially robust, require little maintenance and since they do not require any electrical connections, can be easily installed on equipment at any point in a system. The unique design maintains a liquid barrier inside the trap which prevents the escape of costly process gas. As a result, no-loss condensate traps provide energy savings when compared to timer drains and manual valves. These patented devices are backed by an excellent warranty and a strong technical support staff who are available to assist customers in developing engineered solutions for all of their liquid drainage problems.

The Drain-All product line includes a wide array of products, options and accessories which enable customers to customize their particular liquid drainage systems. The Drain-All condensate drains are compatible with all manufactures of compressors, aftercoolers, filters/separators, receivers and dryers.

SPECIFICATIONS	
Part Number	<b>TH50-0LTAB</b>
Max Liquid Temp - °F (°C)	350 (176.7)
Max Liquid Pressure – PSIG (BARG)	170 (11.7)
Control Air Min – PSIG (BARG)	40 (2.8)
Control Air Max – PSIG (BARG)	130 (9.0)
Ht – inches (cm)	11 (27.9)
Width – inches (cm)	9 (22.9)
Depth (Inlet/BV) – inches (cm)	10-1/2 (26.7)
Inlet / Outlet – NPT	1/2
Control Air – NPT	1/4
Balance Line – NPT	1/8
Max Capacity @ 110 PSI - GPM (kg/hr)	1.5 (340) *
Weight – LBS (KG)	22.6 (10.3)

\* Varies with pressure/piping

# COMPONENT PARTS DRAWING



# PARTS & MATERIALS OF CONSTRUCTION

CODE	PART #	ITEM	DESCRIPTION/REMARKS	QTY
1	302500	Screw, Self-Tapping	Zinc Plated Steel	1
2	302806	Name Plate	Aluminum	1
3	300650	Push to Test Button	Brass	1
4	300705	Control Air Filter Assembly, 1/4" NPT	Aluminum Head, Aluminum Bowl, Twist Drain	1
5	300801	Hex Nipple, 1/4" NPT	Stainless Steel	1
6	300131	Elbow Fitting, 1/4" NPT	Stainless Steel	2
7	350170	Head	Aluminum	1
8	301002	Elbow Fitting, 1/8" NPT - 1/4" Tube	Stainless Steel	2
9	300301	Cylinder Mount Kit	Includes:	1
			(2) Bracket - Electroless Nickel Plated Steel	
			(1) Mount Pin-Electroless Nickel Plated Steel	
			(1) Cotter Pin-Stainless Steel	
			(4) Screw, Self Tapping, Zinc Plated Steel	
10	350359S	Control Air Tube, .320" Dia x 12.750" L	Teflon, Stainless Steel Braided Exterior	1
11	302210	O-ring, Valve Stem	Viton, Brown	1
12	100731	Valve Stem, 2.009" L	O-ring Seal, Aluminum	1
13	470105	Inner Magnet	Ceramic with Viton Ends and Covering	1
14	302215	O-Ring, Center Tube	Viton, Brown	1
15	200171	Center Tube, 4.3" L	O-ring Seal, Aluminum	1
16	302270	Hex Bolt	Zinc Plated Steel	4
17	300314	Pneumatic Cylinder, 2" Dia	40 - 130 PSI, Stainless Steel Body and Rod, Aluminum Ends	1
18	100470	Float	Stainless Steel, Spherical	1
19	302205	O-ring, Sleeve	Viton, Black	2
20	100350	Sleeve, 1/4 Thick	Aluminum	1
21	301570	Washer	Zinc Plated Steel	4
22	300292	Clevis and Pin Kit	Includes:	1
			(1) Clevis-Electroless Nickel Plated Steel	
			(1) Clevis Pin-Electroless Nickel Plated Steel	
			(1) Cotter Pin-Stainless Steel	
23	100825	Control Lever	Stainless Steel for 1/2" NPT Ball Valve	1
24	350273	Base, Thru Port	Aluminum	1
25	300901	Hex Nipple, 1/2" NPT	Stainless Steel	1
26	300215	Heavy Duty Ball Valve, 1/2" NPT	Double O-ring Viton Stem Seals, Stainless Steel	1
27	302370	Coupling Nut	Zinc Plated Steel	4
28	352140	Installation Kit	Includes:	1
29			(2) Needle Valves - Stainless Steel	
30			(1) Straight Fitting - Stainless Steel	
31			(1) Elbow Fitting - Stainless Steel	
32			(1) 1/8" Nipple - SS	

# DIMENSIONAL PRINT

