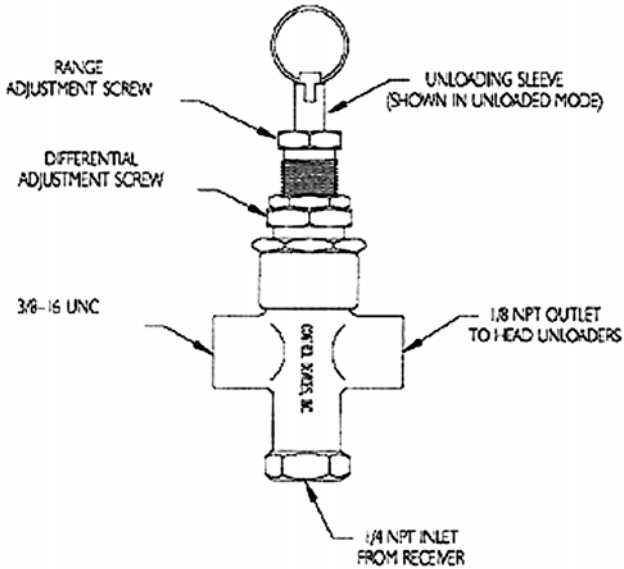


# Pilot Valves

## Model "P25"

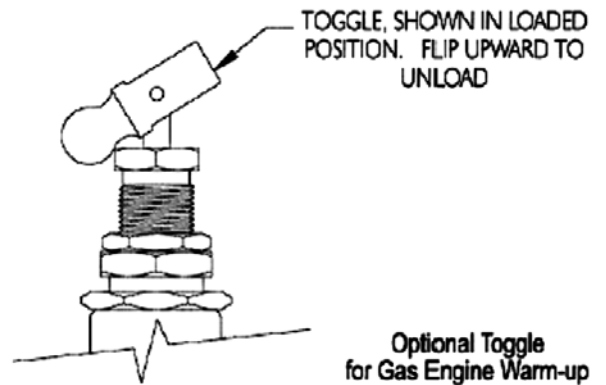
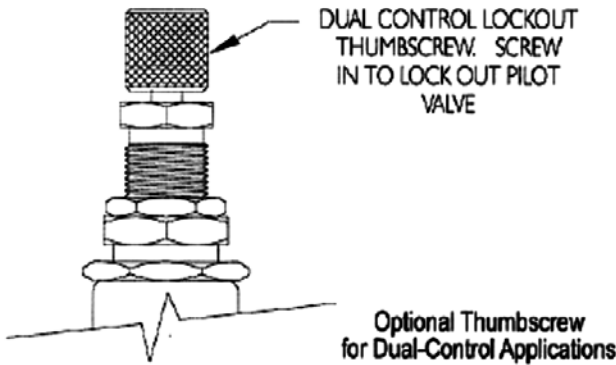
### P25 Pilot Valve



The P25 Pilot Valve is an industry standard. Details of construction include a precision-machined, forged brass body, brass adjustment screws, and stainless steel ball and spring.

Valve cut-in and cut-out pressures are factory set per customer specifications. If no specifications are given, valve is set at standard setting of 95-115 PSI (655-793 kPa). Valve is also field adjustable.

Valve includes a mounting boss, tapped with a 3/8 - 16 UNC thread, a 1/4" NPT inlet and a 1/8" NPT outlet. Valve comes standard with unloading sleeve for gas engine warm up. Options include a toggle for one-hand unloading, a lockout thumbscrew for dual control systems, and a 1/4" NPT nipple installed into the inlet port. Maximum cut-out pressure 250 psi (1725 kPa), minimum cut-out pressure 60 psi (415 kPa). Max temperature is 175°C



Model	Pressure		Weight (gms)	Part Number
	Cut-in	Cut-out		
P25	95 psi	115 psi	185	4010000

