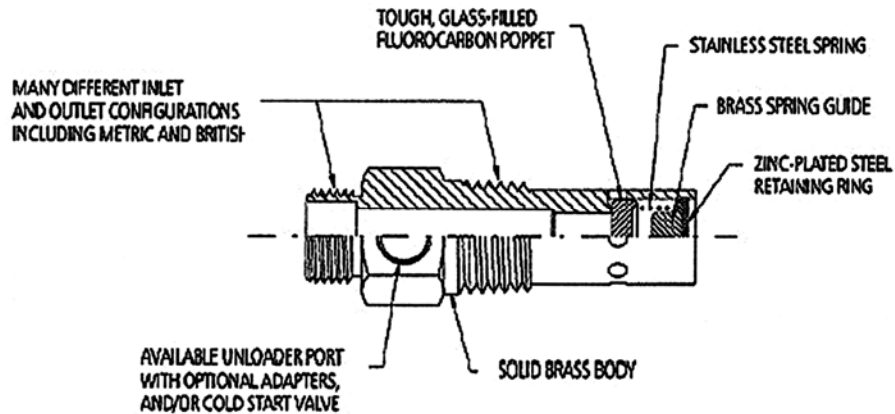


In-Tank Check Valves

Super-Chek® Check Valves

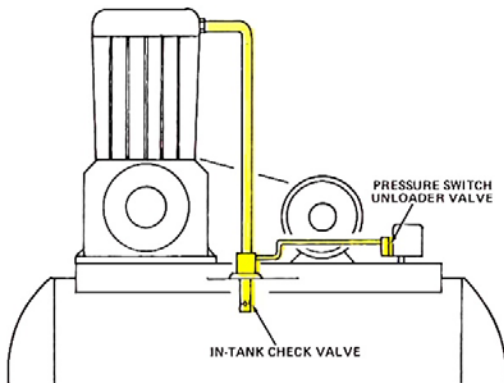
The Super-Chek® design has been proven over the last 15 years to be the standard for air compressor in-tank check valves. One-piece brass bodies, stainless steel springs, and glass-filled fluoropolymer poppets all add up to long term reliability, while the eight discharge holes insure quiet operation.

Valves may be disassembled for cleaning or repair. Valves are 100% tested for backflow leakage performance. 450 PSI (3103 kPa) max pressure, 205°C max temperature.

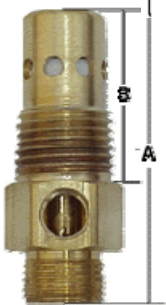


PRESSURE SWITCH UNLOADER

Special pressure switch with unloader valve required. Valve actuated by pressure switch vents discharge line when switch reaches cut-out point. Requires external tubing connection between discharge line and pressure switch valve. Will not vent discharge line if power is interrupted during pump up cycle. Also requires receiver check valve.

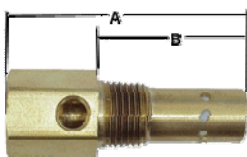


Compression Fitting Inlet



Model	Tube Comp. Inlet	MPT Outlet	Dimensions			Recommended Max Flow SCFM	Weight (gms)	Part Number
			A	B	Hex			
C3850	3/8"	1/2"	73.0	47.6	22.2	20	120	4005100
C5050	1/2"	1/2"	73.0	47.6	22.2	20	120	4005260
C7575	3/4"	3/4"	89.0	60.3	28.6	30	210	4005270
C7510	3/4"	1"	95.2	66.7	33.3	60	330	4005290

Female Pipe Thread Inlet

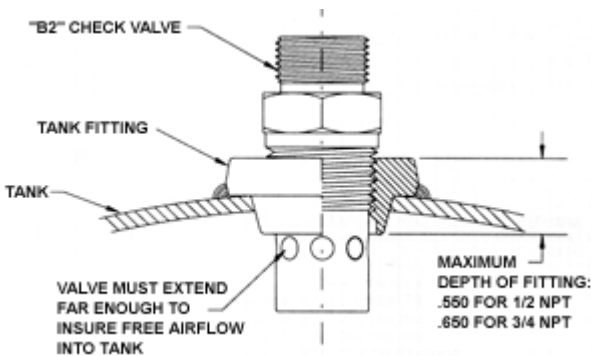
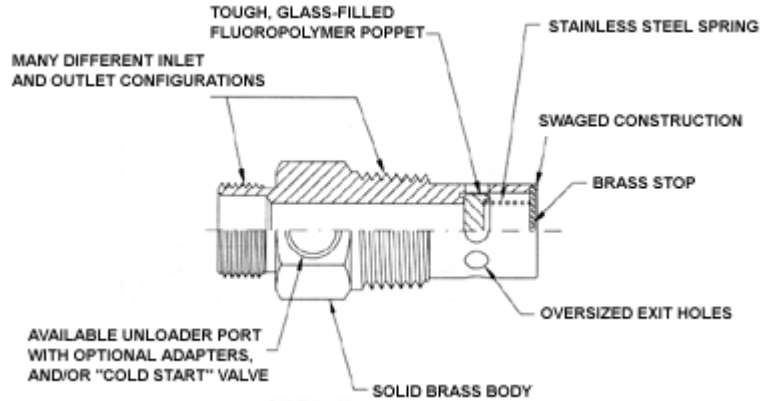


Model	FPT. Inlet	MPT Outlet	Dimensions			Recommended Max Flow SCFM	Weight (gms)	Part Number
			A	B	Hex			
P5050	1/2"	1/2"	76.2	47.6	25.4	20	160	4005600
P5075	1/2"	3/4"	88.9	63.5	28.6	30	185	4005620
P7575	3/4"	3/4"	82.5	57.1	30.1	30	200	4005660
P7510	3/4"	1"	88.9	63.5	33.3	60	320	4005672
P1010	1"	1"	98.4	66.6	38.1	60	350	4005710
P1212	1 1/4"	1 1/4"	112.7	82.5	47.6	130	500	4005750

In-Tank Check Valves

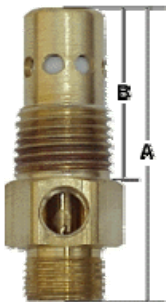
“B2” Check Valves

The "B2" design of in-tank check valves are specifically designed for OEM use. These valves offer outstanding performance at a great price! Valve bodies are all brass with stainless steel springs and glass-filled fluoropolymer poppet. High flows are insured with oversized discharge holes. Final assembly is a swaging operation, which insures long life, but does not allow disassembly. 450 PSI (3103 kPa) max pressure, 205° C max. temperature.



Please note that the "barrel" length of the "B2" valve is shorter than our Super-Chek® line, so the OEM must insure that any "skirt" on the tank fitting is clear of the valve discharge holes (see diagram at left). Otherwise, potentially damaging backpressure may build up in the compressor discharge line and compressor head.

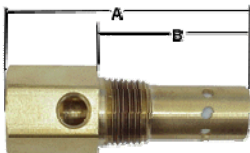
Compression Fitting Inlet



Model	Tube Comp. Inlet	MPT Outlet	Dimensions			Recommended Max Flow SCFM	Weight (gms)	Part Number
			A	B	Hex			
C3150*	5/16"	1/2"	54.0	35.0	22.2	20	85	On Request
C3850	3/8"	1/2"	60.3	35.0	22.2	20	99	On Request
C5050	1/2"	1/2"	54.0	35.0	22.2	20	99	4005250
Short C5050	1/2"	1/2"	47.6	35.0	22.2	20	99	On Request
C6250	5/8"	1/2"	60.3	35.0	22.2	20	99	On Request
C7575	3/4"	3/4"	76.2	47.6	28.6	30	230	On Request

* = Without unloader port

Female Pipe Thread Inlet



Model	FPT. Inlet	MPT Outlet	Dimensions			Recommended Max Flow SCFM	Weight (gms)	Part Number
			A	B	Hex			
P5050	1/2"	1/2"	63.5	35.0	25.4	20	113	On Request
P7575	3/4"	3/4"	69.8	44.4	30.1	30	170	On Request