

BOBBY® VALVE RESERVOIR ASSEMBLIES

FOR ICEMAKING MACHINES

• NATIONAL SANITATION FOUNDATION TESTING LABORATORY listed as Food Service Equipment • All plastic materials FDA approved • Polycarbonate Reservoir • All models - Length 5" - Height 4-1/2" - Width 2-1/2" • Packed 50 pieces per carton

107-2211 ASSEMBLY

PART NUMBER	VERTICAL INLET CONNECTION	FLOW CAPACITY AT 50 PSI	WEIGHT PER EACH
107-2211	1/4" COMP. NUT BRASS BODY	.52 GPM	.5 LBS

107P-2211 ASSEMBLY

PART NUMBER	VERTICAL INLET CONNECTION	FLOW CAPACITY AT 50 PSI	WEIGHT PER EACH
107P-2211	1/4" COMP. NUT CELCON BODY	.52 GPM	.5 LBS

107-2221 ASSEMBLY

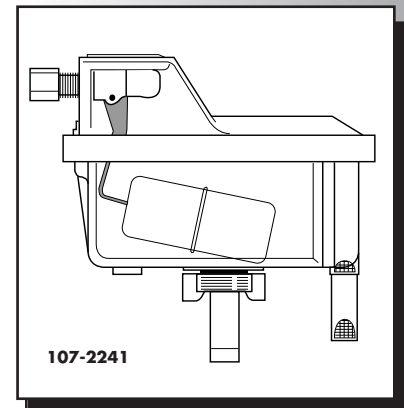
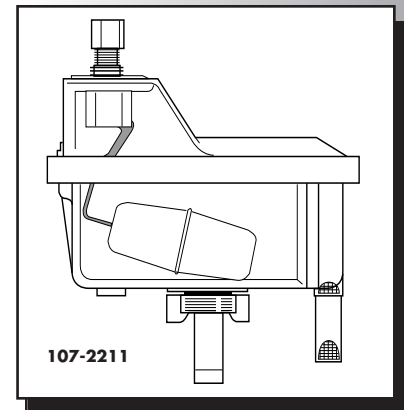
PART NUMBER	VERTICAL INLET CONNECTION	FLOW CAPACITY AT 50 PSI	WEIGHT PER EACH
107-2221	1/4" COMP. WING NUT BRASS BODY	.52 GPM	.6 LBS

107P-2221 ASSEMBLY

PART NUMBER	VERTICAL INLET CONNECTION	FLOW CAPACITY AT 50 PSI	WEIGHT PER EACH
107P-2221	1/4" COMP. WING NUT CELCON BODY	.52 GPM	.6 LBS

107-2241 ASSEMBLY

PART NUMBER	HORIZONTAL INLET CONNECTION	FLOW CAPACITY AT 50 PSI	WEIGHT PER EACH
107-2241	1/4" COMP. NUT COMBO BODY	.52 GPM	.5 LBS



FOR ICEMAKING MACHINES WITH LARGER CAPACITIES

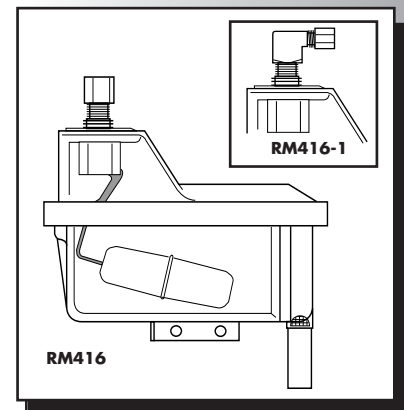
• NATIONAL SANITATION FOUNDATION TESTING LABORATORY listed as Food Service Equipment • All plastic materials FDA approved • Polycarbonate Reservoir • All models - Length 6" - Height 4-3/4" - Width 3-1/2" • Packed 35 pieces per carton

RM416 ASSEMBLY

PART NUMBER	VERTICAL INLET CONNECTION	FLOW CAPACITY AT 50 PSI	WEIGHT PER EACH
RM416	1/4" COMP. NUT BRASS BODY	.52 GPM	.8 LBS

RM416-1 ASSEMBLY

PART NUMBER	VERTICAL INLET CONNECTION	FLOW CAPACITY AT 50 PSI	WEIGHT PER EACH
RM416-1	1/4" COMP. ELBOW BRASS BODY	.52 GPM	.8 LBS



BOBBY® VALVES FOR RESERVOIR ASSEMBLIES & ACCESSORIES

RM292 & RM292P SERIES

NSF LISTED

VERTICAL INLET W/ALL BRASS BODY & STAINLESS STEEL ARM

PART NUMBER	INLET CONNECTION	RESERVOIR ASSEMBLY	ORIFICE	WEIGHT
RM292-1	1/4" COMP. NUT	107-2211	.052	.3 LBS
RM292-2	1/4" COMP. WING NUT	107-2221	.052	.3 LBS

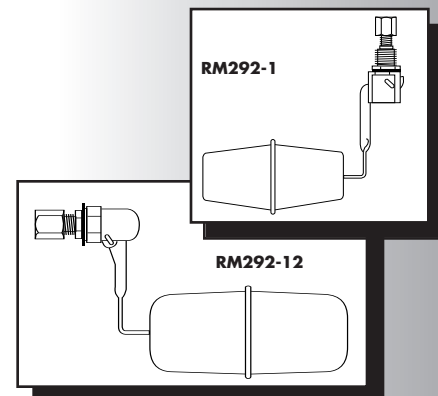
VERTICAL NICKEL PLATED INLET W/CELCON BODY & STAINLESS STEEL ARM

PART NUMBER	INLET CONNECTION	RESERVOIR ASSEMBLY	ORIFICE	WEIGHT
RM292P	1/4" COMP. NUT	107P-2211	.063	.3 LBS
RM292P-1	1/4" COMP. WING NUT	107P-2221	.063	.3 LBS

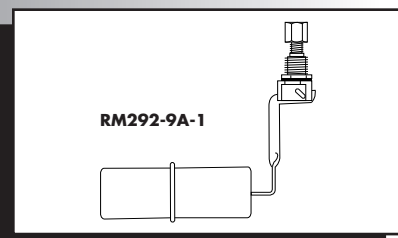
HORIZONTAL INLET "BOBBY COMBO"

PART NUMBER	INLET CONNECTION	RESERVOIR ASSEMBLY	ORIFICE	WEIGHT
RM292-12	1/4" COMP. NUT	107-2241	.052	.3 LBS

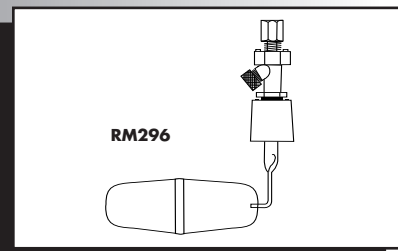
RM292-1 and RM292-2 use PF33 float. RM292P, RM292P-1, and RM292-12 use PF29S-1 float.



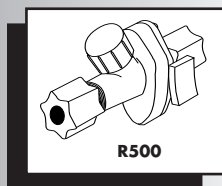
BOBBY® VALVES FOR RESERVOIR ASSEMBLIES & ACCESSORIES

**RM292 SERIES****NSF LISTED****VERTICAL INLET W/ALL BRASS BODY & STAINLESS STEEL ARM**

PART NUMBER	INLET CONNECTION	RESERVOIR ASSEMBLY	ORIFICE	WEIGHT
RM292-9A-1	1/4" COMP. NUT	RM416	.052	.3 LBS
RM292-25A	1/8" MIP	RM416-1	.052	.3 LBS

**RM296 SERIES****VERTICAL INLET PLASTIC VALVE FOR 1/4" PLASTIC TUBING, SPLASH GUARD STAINLESS STEEL ARM, AND INLINE FILTER WITH REMOVABLE STAINLESS MESH SCREEN**

PART NUMBER	INLET CONNECTION	ORIFICE	WEIGHT
RM296-1	1/4" COMP.	.052	.4 LBS
RM296-2	1/4" COMP.	.093	.4 LBS

**R500-1/4****PLASTIC INLINE FILTER FOR 1/4" PLASTIC TUBING WITH REMOVABLE STAINLESS MESH SCREEN**

PART NUMBER	INLET & OUTLET CONNECTION	WEIGHT
R500-1/4	1/4" COMP.	.05 LBS



Ross Brown Sales Pty. Ltd

ABN 28 000 690 362

Phone: (02) 9899 2744 Fax: (02) 9899 4233

Email: sales@rossbrownsales.com.auWebsite: www.rossbrownsales.com.au