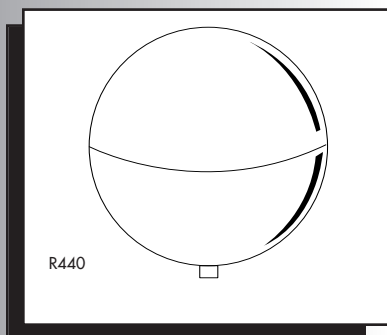


BOB® COPPER FLOATS & BRASS ADAPTERS

BOB® Copper Float Balls consist of two float halves soldered together using an inside lapping joint.
For open tank service only. 10" & 12" floats special order w/extended lead time.

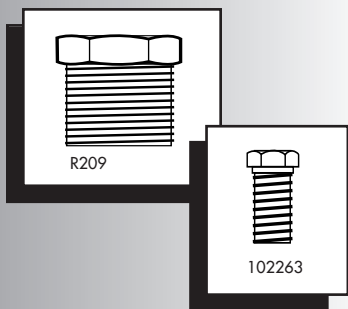


R440 SERIES COPPER FLOATS

PART NUMBER	FLOAT DIAMETER	BUOYANCY IN LBS.	FEMALE SPUD CONNECTION	WEIGHT LBS.
R440-3	3"	.34	1/4-20 SAE	.19
R440-4	4"	.80	1/4-20 SAE	.38
R440-5	5"	1.73	1/4-20 SAE	.56
R440-6	6"	3.26	1/4-20 SAE	.69
R441-6	6"	3.26	5/16-18 SAE	.69
R442-6	6"	3.26	3/8-16 SAE	.69
R440-7	7"	5.72	3/8" FIP	1.38
R441-7	7"	5.72	5/16-18 SAE	1.38
R442-7	7"	5.72	5/16-18 SAE	1.38
R440-8	8"	8.03	3/8" FIP	1.94
R442-8	8"	8.03	3/8-16 SAE	1.94
R440-10	10"	16.66	1/2" FIP	3.25
R442-10	10"	16.66	3/8-16 SAE	3.25
R440-12	12"	28.38	3/4" FIP	4.50
R442-12	12"	28.38	3/8-16 SAE	4.50

Float with thru-hole available upon request (except 12"). Thru hole for • 1/4" dia rod (.325 I.D. hole) add suffix "SR-250". • 3/8" dia rod (.450 I.D. hole) add suffix "SR-375" • 1/2" dia rod (.635 I.D. hole) add suffix "SR-500". • Special order, no return/cancel. Allow 4-6 weeks for delivery.

PART NUMBER	FLOAT DIAMETER	LENGTH	BUOYANCY IN OZS.	FEMALE SPUD CONNECTION	WEIGHT OZS.
RM141 (COPPER)	4"	7"	35.00	1/4-20 SAE	9.58



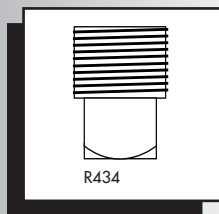
R209 SERIES Adapter

PART NUMBER	THREAD COMBINATION
R209-3/8X1/8	3/8" MIP X 1/8" FIP
R209-3/8X1/4	3/8" MIP X 1/4" FIP

102263 SERIES Adapter

• Adapts 8-32 Stem to 1/4-20 SAE MALE for Larger Floats

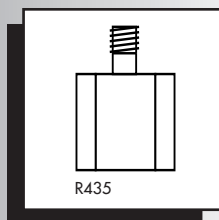
PART NUMBER
102263-1 (BRASS)
102263-2 (STAINLESS STEEL)



R434 SERIES PLUG Adapter

• Plug to Adapt Machine Thread Stems to Floats Having Pipe Threads

PART NUMBER	THREAD COMBINATION	PART NUMBER	THREAD COMBINATION
R434-0	1/4-20 SAE X 3/8" MIP	R434-11	3/8-16 SAE X 3/8" MIP
R434-1	5/16-18 SAE X 3/8" MIP		



R435 SERIES Adapter

PART NUMBER	THREAD COMBINATION
R435-1	1/4-20 SAE X 1/8" FIP
R435-4	1/4-20 SAE X 5/16-18 SAE FEM
R435-5	1/4-20 SAE X 3/8-16 SAE FEM



Ross Brown Sales Pty. Ltd

ABN 28 000 690 362

Phone: (02) 9899 2744 Fax: (02) 9899 4233

Email: sales@rossbrownsales.com.au

Website: www.rossbrownsales.com.au

BOB® STAINLESS STEEL FLOATS & ADAPTERS

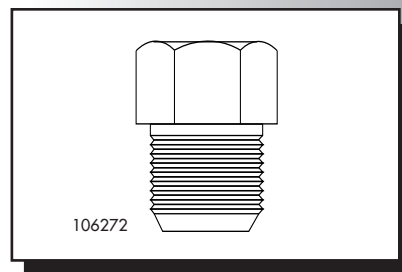
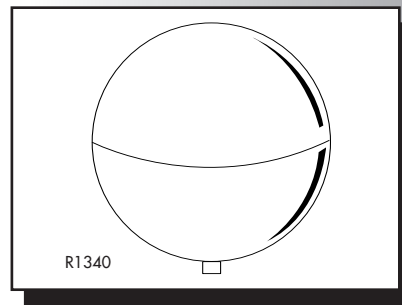
Suitable for use in corrosive fluids where high pressure or extreme temperatures may exist.

• Floats Consist of AISI 316 Stainless Steel • 7", 10" & 12" Special Order w/Extended Lead Times.

R1340 SERIES

PART NUMBER	FLOAT DIAMETER	BUOYANCY IN LBS.	FEMALE SPUD CONNECTION	WEIGHT LBS.
R1340-3	3"	.21	1/4-20 SAE	.19
R1340-4	4"	.65	1/4-20 SAE	.44
R1340-5	5"	1.55	1/4-20 SAE	.81
R1340-6	6"	2.15	1/4-20 SAE	1.19
R1340-7	7"	3.09	3/8" FIP	1.75
R1340-8	8"	6.44	3/8" FIP	1.81
R1340-10	10"	11.63	1/2" FIP	7.19
R1340-12	12"	22.25	3/4" FIP	9.75

Float with thru-hole available upon request (except 7", 10" & 12"). Thru hole for • 1/4" dia rod (.300 I.D. hole) add suffix "SR-250" • 3/8" dia rod (.402 I.D. hole) add suffix "SR-375" • 1/2" dia rod (.555 I.D. hole) add suffix "SR-500". Special order, no return/cancel. Allow 4-6 weeks for delivery.



106272 SERIES Adapter

PART NUMBER	THREAD COMBINATION	PART NUMBER	THREAD COMBINATION
106272-1	1/4-20 SAE X 3/8" MIP	106272-7	3/8-16 SAE X 3/4" MIP
106272-2	3/8-16 SAE X 3/8" MIP	106272-12	3/8" FIP X 1/2" MIP
106272-3	1/8" FIP X 3/8" MIP	106272-13	5/16" FIP X 3/8" MIP

BOB® POLYPRO FLOATS

BOB® Polypropylene Floats are corrosion resistant, lightweight and suitable for a broad range of destructive fluids.

Standard color is Natural. PF5, PF6, PF8 models colored black for ultra violet light protection.

Suitable for 175°F. For open tank service only.

PF5 MODEL (POLYPROPYLENE)

PART NUMBER	DESCRIPTION	DIAM.	FEM. SPUD CONN.	BUOYANCY OZ.	WEIGHT OZ.
PF5	SPHERICAL	5"	1/4-20	34.70	2.8

PF6 MODEL (POLYPROPYLENE)

PART NUMBER	DESCRIPTION	DIAM.	FEM. SPUD CONN.	BUOYANCY OZ.	WEIGHT OZ.
PF6	SPHERICAL	6"	1/4-20	61.00	4.5
PF6-7	SPHERICAL	6"	5/16-18	61.00	4.5

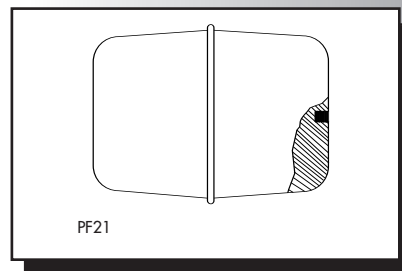
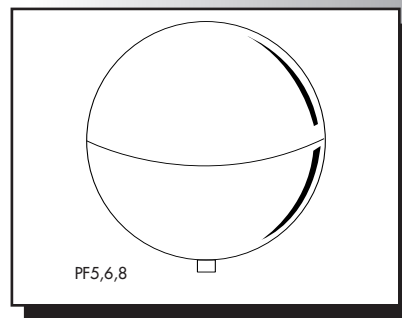
PF8 MODEL (POLYPROPYLENE)

PART NUMBER	DESCRIPTION	DIAM.	FEM. SPUD CONN.	BUOYANCY OZ.	WEIGHT OZ.
*PF8	SPHERICAL	8"	3/8" FIP	158.00	16.00
PF8-1	SPHERICAL	8"	1/4-20	158.00	16.00
PF8-2	SPHERICAL	8"	3/8-16	158.00	16.00
PF8-7	SPHERICAL	8"	5/16-18	158.00	16.00

*Float available with thru-hole upon request.

PF21 MODEL (POLYPROPYLENE)

PART NUMBER	DESCRIPTION	LENGTH	WIDTH	HEIGHT	FEM. SPUD CONN.	BUOYANCY OZ.	WEIGHT OZ.
PF21	LUX	3-3/4"	2-5/8"	2-1/4"	8-32	9.23	1.1
PF21-1	LUX	3-3/4"	2-5/8"	2-1/4"	1/4-20	9.23	1.1

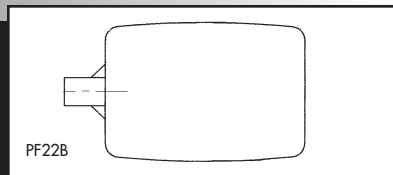


BOB® STAINLESS STEEL FLOATS & ADAPTERS

BOB® POLYPROPYLENE FLOATS

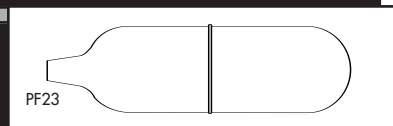
BOB® POLYPRO FLOATS

BOB® POLYPROPYLENE FLOATS



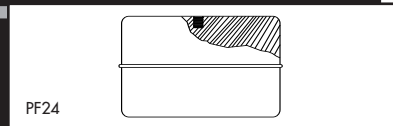
PF22B MODEL (POLYETHYLENE • Blow Molded)

PART NUMBER	DESCRIPTION	LENGTH	WIDTH	HEIGHT	FEM. SPUD CONN.	BUOYANCY OZ.	WEIGHT OZ.
PF22B	MINI LUX	3-3/4"	2-5/8"	1-7/16"	8-32	6.47	.75



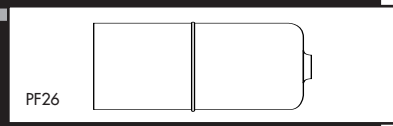
PF23 MODEL (POLYPROPYLENE)

PART NUMBER	DESCRIPTION	LENGTH	DIAM.	FEM. SPUD CONN.	BUOYANCY OZ.	WEIGHT OZ.
PF23	CYLINDRICAL	5-1/4"	1-1/2"	8-32	5.04	.73



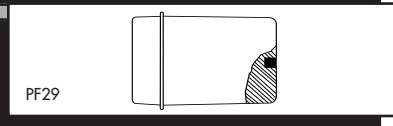
PF24 MODEL (POLYPROPYLENE)

PART NUMBER	DESCRIPTION	HEIGHT	DIAM.	FEM. SPUD CONN.	BUOYANCY OZ.	WEIGHT OZ.
PF24	PAN	1-3/4"	2-3/4"	8-32	5.27	.89



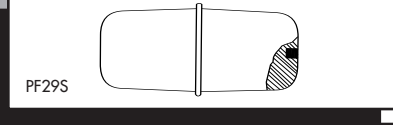
PF26 MODEL (POLYPROPYLENE)

PART NUMBER	DESCRIPTION	LENGTH	DIAM.	FEM. SPUD CONN.	BUOYANCY OZ.	WEIGHT OZ.
*PF26	CYLINDRICAL	3-3/4"	1-1/2"	**	3.26	.73



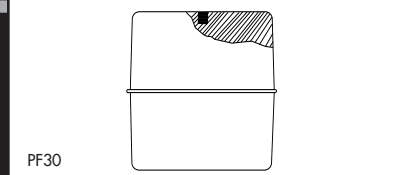
PF29 AND PF29S MODEL (POLYPROPYLENE)

PART NUMBER	DESCRIPTION	LENGTH	DIAM.	FEM. SPUD CONN.	BUOYANCY OZ.	WEIGHT OZ.
PF29	CYLINDRICAL	2-5/8"	1-1/2"	8-32	2.14	.50
PF29-1	CYLINDRICAL	2-5/8"	1-1/2"	SLOTTED	2.14	.50
PF29S	CYLINDRICAL	3"	1-1/2"	8-32	2.78	.53
PF29S-1	CYLINDRICAL	3"	1-1/2"	SLOTTED	2.78	.53



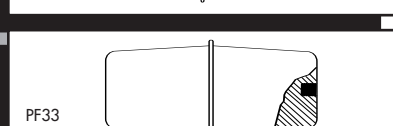
PF30 MODEL (POLYPROPYLENE)

PART NUMBER	DESCRIPTION	LENGTH	WIDTH	HEIGHT	FEM. SPUD CONN.	BUOYANCY OZ.	WEIGHT OZ.
PF30	FLAT RECTANGLE	2-1/4"	3-3/8"	1"	8-32	4.26	.78



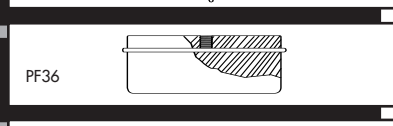
PF31 MODEL (POLYPROPYLENE)

PART NUMBER	DESCRIPTION	LENGTH	DIAM.	FEM. SPUD CONN.	BUOYANCY OZ.	WEIGHT OZ.
*PF31-1	CYLINDRICAL	3-3/4"	2"	8-32	5.68	.91



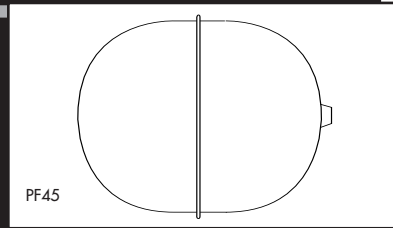
PF33 MODEL (POLYPROPYLENE)

PART NUMBER	DESCRIPTION	LENGTH	WIDTH	HEIGHT	FEM. SPUD CONN.	BUOYANCY OZ.	WEIGHT OZ.
PF33	SQUARE PROFILE	2-3/4"	1-1/4"	1-1/4"	SLOTTED	1.73	.40



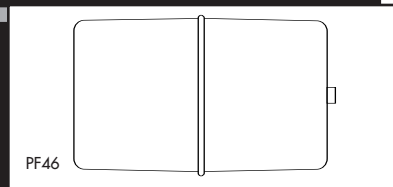
PF36 MODEL (POLYPROPYLENE)

PART NUMBER	DESCRIPTION	HEIGHT	DIAM.	FEM. SPUD CONN.	BUOYANCY OZ.	WEIGHT OZ.
PF36	MICRO PAN	3/4"	2"	6-32	1.00	.40
PF36-1	MICRO PAN	1-7/16"	2"	6-32	2.69	.50



PF45 MODEL (POLYPROPYLENE)

PART NUMBER	DESCRIPTION	LENGTH	DIAM.	FEM. SPUD CONN.	BUOYANCY OZ.	WEIGHT OZ.
PF45	OVAL	5"	4"	1/4-20	24.30	2.5



PF46 MODEL (POLYPROPYLENE)

PART NUMBER	DESCRIPTION	LENGTH	DIAM.	FEM. SPUD CONN.	BUOYANCY OZ.	WEIGHT OZ.
PF46	CYLINDRICAL	6"	4"	1/4-20	39.10	4.1

*Can be weighted per requirement. **Universal connection 6-32 or 8-32.