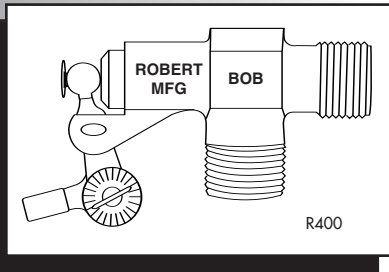


# BOB® FLOAT VALVES & ASSEMBLIES

All Standard Bob® Float Valve Assemblies consist of valve, brass stem, and float ball (copper or polypropylene) for positive water level control. For special assemblies list parts separately, i.e., valve, stem, and float ball.



## R400 VALVE - MIP X MIP

- High Capacity - Heavy Duty • Red Brass Body
- Adjusting Arm Tapped 1/4-20 Thread • Buna-N-Disc Standard

PART NUMBER	PIPE SIZE		WEIGHT LBS.	FREE DISCHARGE FLOW CAPACITY	
	INLET	OUTLET		35 PSI	85 PSI
R400-3/8	3/8" MIP	3/8" MIP	.44	9 GPM	13 GPM
R400-1/2	1/2" MIP	1/2" MIP	.63	12 GPM	22 GPM
R400-3/4	3/4" MIP	3/4" MIP	.82	21 GPM	39.9 GPM
R400-1	1" MIP	1" MIP	1.13	43.5 GPM	68.5 GPM

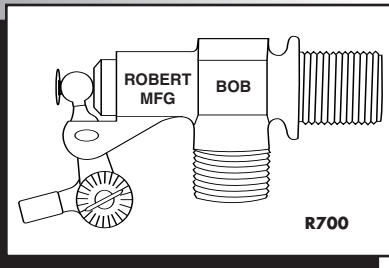
## R400 VALVE ASSEMBLY w/STEM & FLOAT

ASSEMBLY NUMBER	PIPE SIZE		FLOAT BALL	STEM	WEIGHT LBS.	MAX. INLET PRESSURE
	INLET	OUTLET				
R400-3/8-5	3/8" MIP	3/8" MIP	R440-5	1/4 - 20X10"	1.13	125 PSI
R400-1/2-5	1/2" MIP	1/2" MIP	R440-5	1/4 - 20X10"	1.31	125 PSI
R400-3/4-5	3/4" MIP	3/4" MIP	R440-5	1/4 - 20X10"	1.50	100 PSI
R400-1-5	1" MIP	1" MIP	R440-6	1/4 - 20X10"	1.94	100 PSI

## R700 VALVE

- Tank Wall Mounting • STRAIGHT PIPE THREAD

PART NUMBER	PIPE SIZE		WEIGHT LBS.	FREE DISCHARGE FLOW CAPACITY	
	INLET	OUTLET		35 PSI	85 PSI
R700-3/8	3/8" MIP	3/8" MIP	.52	12 GPM	22 GPM
R700-1/2	1/2" MIP	1/2" MIP	.66	12 GPM	22 GPM
R700-3/4	3/4" MIP	3/4" MIP	.87	21 GPM	39.9 GPM



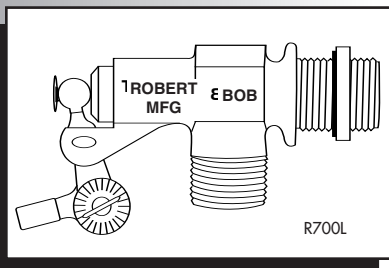
## R700 VALVE w/LOCKNUT & GASKET

- STRAIGHT PIPE THREAD

PART NUMBER	PIPE SIZE		WEIGHT LBS.	FREE DISCHARGE FLOW CAPACITY	
	INLET	OUTLET		35 PSI	85 PSI
R700L-3/8	3/8" MIP	3/8" MIP	.68	12 GPM	22 GPM
R700L-1/2	1/2" MIP	1/2" MIP	.68	12 GPM	22 GPM
R700L-3/4	3/4" MIP	3/4" MIP	.89	21 GPM	39.9 GPM

## R700L VALVE ASSEMBLY w/LOCKNUT, GASKET, STEM & FLOAT

ASSEMBLY NUMBER	PIPE SIZE		FLOAT BALL	STEM	WEIGHT LBS.	MAX. INLET PRESSURE
	INLET	OUTLET				
R700L-3/8-5	3/8" MIP	3/8" MIP	R440-5	1/4 - 20X10"	1.33	125 PSI
R700L-1/2-5	1/2" MIP	1/2" MIP	R440-5	1/4 - 20X10"	1.33	125 PSI
R700L-3/4-5	3/4" MIP	3/4" MIP	R440-5	1/4 - 20X10"	1.54	100 PSI



## RC810 CASA VALVE

- Compound Lever • Fluted Celcon Plunger • Max Temp on 3/8", 1/2" & 3/4" is 120°F

PART NUMBER	PIPE SIZE		WEIGHT LBS.	FREE DISCHARGE FLOW CAPACITY	
	INLET	OUTLET		35 PSI	85 PSI
** RC810-3/8	3/8" MIP	FREE FLOW	.75	9 GPM	13 GPM
** RC810-1/2	1/2" MIP	FREE FLOW	.82	14 GPM	22.5 GPM
** RC810-3/4	3/4" MIP	FREE FLOW	.63	27 GPM	36 GPM
* R810-1	1" MIP	FREE FLOW	1.56	80 GPM	138 GPM

\*R810-1 Brass Plunger \*\*Viton Cup, Silicone Disc

• For HIGH TEMP DISC and CUP add suffix "V" to part number, i.e. R400-3/8V or R400-3/8-5V.  
 • For POLYPROPYLENE FLOAT add suffix "P" to assembly number, i.e. R400-1-5P. Contact our sales office for current pricing.

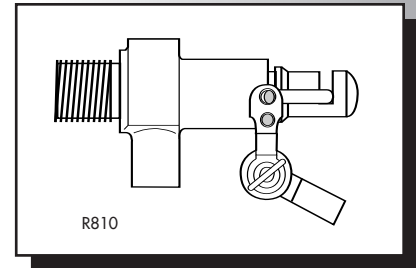
# BOB® FLOAT VALVES & ASSEMBLIES

## APPLICATIONS INCLUDE:

Cooling towers, livestock waterers, car wash, high pressure wash, swimming pools, and many other agricultural and industrial applications.

### RC810 CASA VALVE ASSEMBLY w/STEM & FLOAT

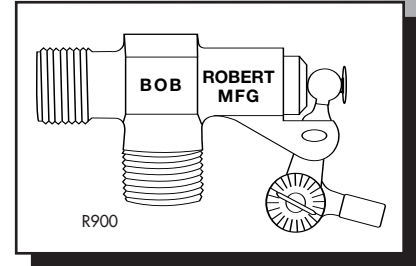
ASSEMBLY NUMBER	PIPE SIZE		FLOAT		WEIGHT LBS.	MAX. INLET PRESSURE
	INLET	OUTLET	BALL	STEM		
RC810-3/8-5	3/8" MIP	FREE FLOW	R440-5	1/4 - 20X10"	1.44	120 PSI
RC810-1/2-5	1/2" MIP	FREE FLOW	R440-5	1/4 - 20X10"	1.44	120 PSI
RC810-3/4-5	3/4" MIP	FREE FLOW	R440-5	1/4 - 20X10"	1.69	100 PSI
R810-1-5	1" MIP	FREE FLOW	R440-6	1/4 - 20X10"	2.06	100 PSI



### R900 VALVE

- Fluted Plunger for Heavy Sand/Silt Conditions

PART NUMBER	PIPE SIZE	WEIGHT LBS.	FREE DISCHARGE FLOW CAPACITY	
			35 PSI	85 PSI
R900-3/8	3/8" MIP	.44	9 GPM	13 GPM
R900-1/2	1/2" MIP	.63	12 GPM	22 GPM
R900-3/4	3/4" MIP	.82	21 GPM	39.9 GPM
R900-1	1" MIP	1.13	43.5 GPM	68.5 GPM



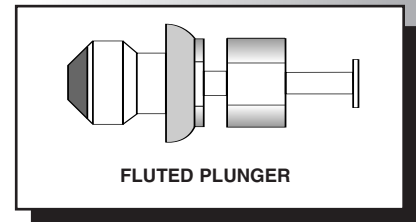
### R900 VALVE ASSEMBLY w/STEM & FLOAT

ASSEMBLY NUMBER	PIPE SIZE		FLOAT		WEIGHT LBS.	MAX. INLET PRESSURE
	INLET	OUTLET	BALL	STEM		
R900-3/8-5	3/8" MIP	3/8" MIP	R440-5	1/4 - 20X10"	1.13	125 PSI
R900-1/2-5	1/2" MIP	1/2" MIP	R440-5	1/4 - 20X10"	1.31	125 PSI
R900-3/4-5	3/4" MIP	3/4" MIP	R440-5	1/4 - 20X10"	1.50	100 PSI
R900-1-5	1" MIP	1" MIP	R440-6	1/4 - 20X10"	1.94	100 PSI

### R600 VALVE

- High Capacity - Heavy Duty
- Compound Lever
- Rotating Plunger
- Buna-N Disc Standard

PART NUMBER	PIPE SIZE	WEIGHT LBS.	FREE DISCHARGE FLOW CAPACITY	
			35 PSI	85 PSI
R600-1-1/4	1-1/4" FIP	3.50	82 GPM	120 GPM
R600-1-1/2	1-1/2" FIP	3.50	82 GPM	120 GPM



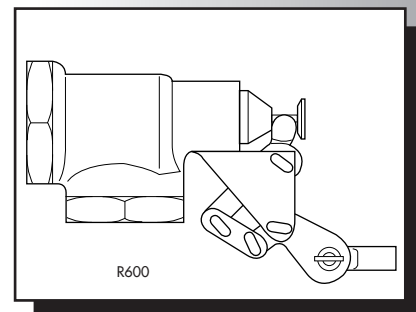
### R600 VALVE w/STEM & FLOAT

ASSEMBLY NUMBER	PIPE SIZE		FLOAT		WEIGHT LBS.	MAX. INLET PRESSURE
	INLET	OUTLET	BALL	STEM		
R600-1-1/4-5	1-1/4" FIP	1-1/4" FIP	R440-6	1/4 - 20X10"	4.50	125 PSI
R600-1-1/2-5	1-1/2" FIP	1-1/2" FIP	R440-6	1/4 - 20X10"	4.50	125 PSI

### R605T "HIGH TURBO" VALVE

- High Capacity - Heavy Duty
- Compound Lever
- Adjusting Short Arm
- For Use in Applications w/HIGH TURBULENCE
- Cooling Towers
- Car Washes

PART NUMBER	PIPE SIZE	WEIGHT LBS.	FREE DISCHARGE FLOW CAPACITY	
			35 PSI	85 PSI
RF605T-1/2	1/2" FIP	1.75	18 GPM	27 GPM
RF605T-3/4	3/4" FIP	1.85	18 GPM	27 GPM
RF605T-1	1" FIP	2.04	63 GPM	110 GPM



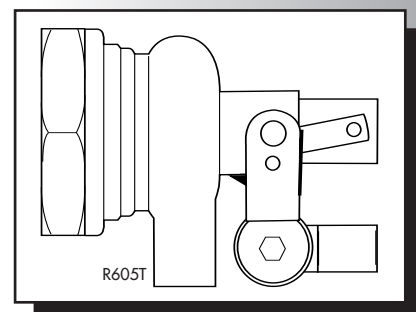
### R605T "HIGH TURBO" VALVE ASSEMBLY w/STEM & FLOAT

ASSEMBLY NUMBER	PIPE SIZE		FLOAT		WEIGHT LBS.	MAX. INLET PRESSURE
	INLET	OUTLET	BALL	STEM		
RF605T-1/2-5	1/2" FIP	FREE FLOW	R440-5	1/4-20 X 10"	3.00	150 PSI
RF605T-3/4-5	3/4" FIP	FREE FLOW	R440-5	1/4-20 X 10"	3.20	150 PSI
RF605T-1-5	1" FIP	FREE FLOW	R440-8	*3/8-16 X 12"	4.90	150 PSI

\*R434-11 Adapter Included

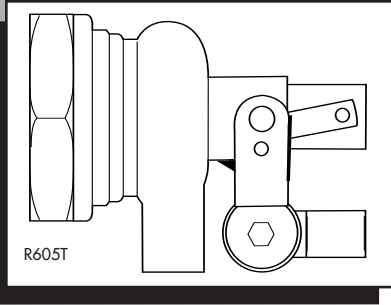
### R605T "HIGH TURBO" VALVE

PART NUMBER	PIPE SIZE	WEIGHT LBS.	FREE DISCHARGE FLOW CAPACITY	
			35 PSI	85 PS
R605T-1-1/4	1-1/4" FIP	3	112 GPM	180 GPM
R605T-1-1/2	1-1/2" FIP	3	112 GPM	180 GPM
R605T-2	2" FIP	3	112 GPM	180 GPM



BOB® FLOAT VALVES & ASSEMBLIES

# BOB® FLOAT VALVES & ASSEMBLIES



## R605T "HIGH TURBO" VALVE ASSEMBLY w/STEM & FLOAT

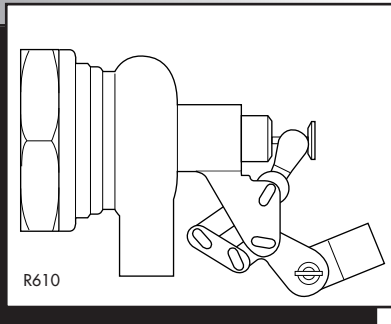
- R434-11 Adapter Included

ASSEMBLY NUMBER	PIPE SIZE		FLOAT		WEIGHT LBS.	MAX. INLET PRESSURE
	INLET	OUTLET	BALL	STEM		
R605T-1-1/4-5	1-1/4" FIP	FREE FLOW	R440-8	3/8-16 X 12"	4.31	150 PSI
R605T-1-1/2-5	1-1/2" FIP	FREE FLOW	R440-8	3/8-16 X 12"	4.44	150 PSI
R605T-2-5	2" FIP	FREE FLOW	R440-8	3/8-16 X 12"	5.06	150 PSI

## R610 VALVE

- High Capacity - Heavy Duty • Compound Lever
- Rotating Plunger • Adjusting Short Arm Tapped 1/8" FIP

PART NUMBER	PIPE SIZE		WEIGHT LBS.	FREE DISCHARGE FLOW CAPACITY	
	INLET	OUTLET		35 PSI	85 PSI
R610-1-1/4	1-1/4" FIP	FREE FLOW	2.75	112 GPM	180 GPM
R610-1-1/2	1-1/2" FIP	FREE FLOW	2.75	112 GPM	180 GPM
R610-2	2" FIP	FREE FLOW	2.75	112 GPM	180 GPM



## R610 VALVE ASSEMBLY w/STEM & FLOAT

- R209-3/8 x 1/8 Adapter Included

ASSEMBLY NUMBER	PIPE SIZE		FLOAT		WEIGHT LBS.	MAX. INLET PRESSURE
	INLET	OUTLET	BALL	STEM		
R610-1-1/4-5	1-1/4" FIP	FREE FLOW	R440-8	1/8" MIP X 12"	4.31	115 PSI
R610-1-1/2-5	1-1/2" FIP	FREE FLOW	R440-8	1/8" MIP X 12"	4.44	115 PSI
R610-2-5	2" FIP	FREE FLOW	R440-8	1/8" MIP X 12"	5.06	115 PSI

## RF610 VALVE

- Adjusting Short Arm Tapped 3/8-16 SAE

PART NUMBER	PIPE SIZE		WEIGHT LBS.	FREE DISCHARGE FLOW CAPACITY	
	INLET	OUTLET		35 PSI	85 PSI
RF610-1-1/4	1-1/4" FIP	FREE FLOW	2.75	112 GPM	180 GPM
RF610-1-1/2	1-1/2" FIP	FREE FLOW	2.75	112 GPM	180 GPM
RF610-2	2" FIP	FREE FLOW	2.75	112 GPM	180 GPM

## RF610 VALVE ASSEMBLY w/STEM & FLOAT

- R434-11 Adapter Included

ASSEMBLY NUMBER	PIPE SIZE		FLOAT		WEIGHT LBS.	MAX. INLET PRESSURE
	INLET	OUTLET	BALL	STEM		
RF610-1-1/4-5	1-1/4" FIP	FREE FLOW	R440-8	3/8-16 X 12"	4.31	115 PSI
RF610-1-1/2-5	1-1/2" FIP	FREE FLOW	R440-8	3/8-16 X 12"	4.44	115 PSI
RF610-2-5	2" FIP	FREE FLOW	R440-8	3/8-16 X 12"	5.06	115 PSI

- For HIGH TEMP DISC and CUP add suffix "V" to part number, i.e. R610-1-1/2V or R610-1-1/2-5V.
- For POLYPROPYLENE FLOAT add suffix "P" to assembly number, i.e. R610-2-5P; R610-1-1/4-5P requires 8" Polypropylene float ball. Contact our sales office for current pricing.



Ross Brown Sales Pty. Ltd

ABN 28 000 690 362

Phone: (02) 9899 2744 Fax: (02) 9899 4233

Email: [sales@rossbrownsales.com.au](mailto:sales@rossbrownsales.com.au)

Website: [www.rossbrownsales.com.au](http://www.rossbrownsales.com.au)