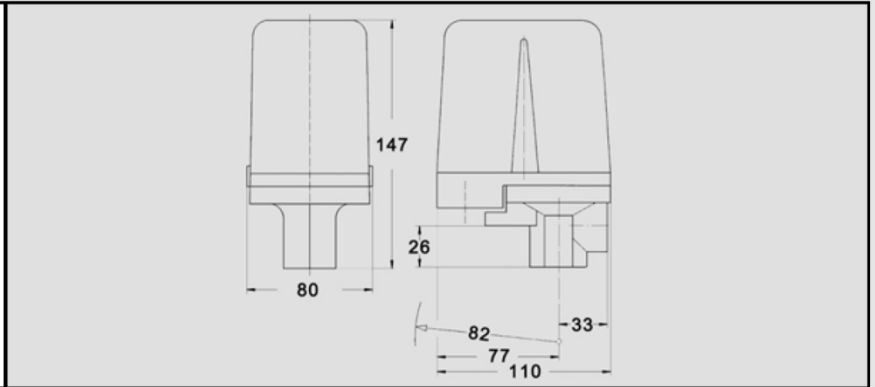


Control Pressure Switch MDR 53

max.cut-out pressure 16 bar
Control current; high switching accuracy



Technical Data MDR 53

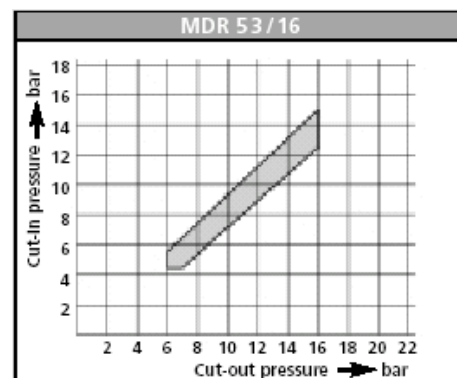
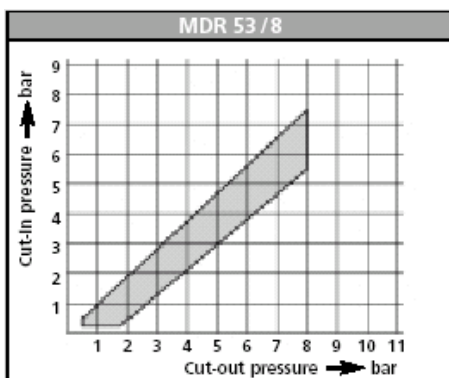
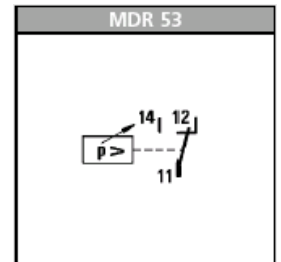
Technical Data MDR 53 acc. to EN 60947 UL / CSA	
Rated insulation voltage U_i	500 V
Rated operational current I_e (AC 15)	8 A
Rated insulation voltage U_e (AC 15)	250 V
Electrical life (AC 3) Cycles	$> 2 \times 10^5$
Mechanical life Cycles	$> 2 \times 10^6$
Max. electrical cycles Cycles/h	120
Max. mechanical cycles Cycles/h	1200
Rated operating current I_e	10 A
Bursting strength P_z	> 40 bar
Rated operating current I_e at 240 V AC	- 5...+ 80 °C

Technical Data MDR 53 acc. to EN 60947	
Permissible media temperature Water	+ 80 °C
Protection acc. to EN 60529	IP 54
Conductor cross-section 1 .. flexible cable 1 x / 2 x	2.5 / 2.5mm ²
Conductor cross-section 1 rigid cable 1 x / 2 x	2.5 / 2.5mm ²

Diaphragm media resistance MDR 53	
Acetylene, Butane, Natural gas, Petroleum, Vinegar 25 %, Glycerol, Carbon dioxide, Air, Propane, Sulphur dioxide, Silicon oil, Water, Distilled water, Hydrogen, Sea water	resistance

Pressure Switches

Condor Code	ON/OFF switch	Pressure Range In kPa	Connection	Weight (gms)	Part Number
MDR53/800 G1/2 2PG16V	-	50-800	½" BSP F	770	3492000
MDR53/1600 G1/2 2PG16V	-	600-1600	½" BSP F	770	3492501



The data provided above is for information purposes only and no warranty of accuracy or reliability is given. Ross Brown Sales Pty Limited reserves the right to change or modify this data without prior notice.

Rev 08/12