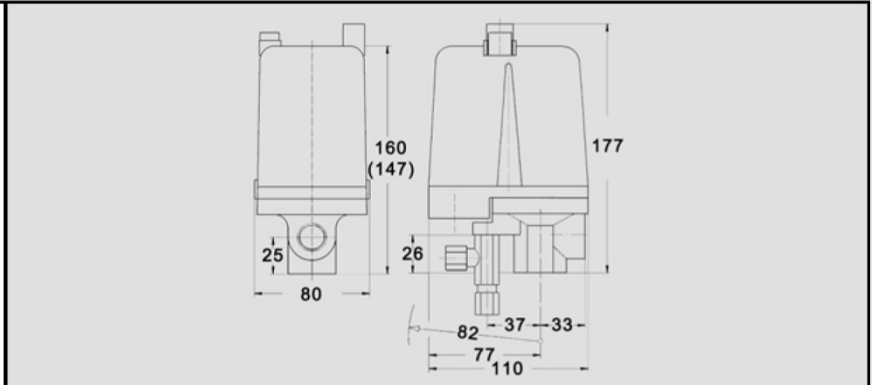


Pressure Switch MDR 5

3-phase; Switching capacity 5.5 kW
available with overload relay
max.cut-out pressure 16 bar



Technical Data

Technical Data MDR 5 acc. to EN 60947	
Rated insulation voltage U_i	500 V
Motor switching capacity (AC 3) $U_e=240$ V (1~)	2.5 kW
Motor switching capacity (AC 3) $U_e=230$ V (3~)	4.0 kW
Motor switching capacity (AC 3) $U_e=400$ V (3~)	5.5 kW
Motor switching capacity (AC 3) $U_e=500$ V (1~)	4.0 kW
Electrical life (AC 3) Cycles	$> 1 \times 10^5$
Mechanical life Cycles	$> 5 \times 10^5$
Max. electrical cycles Cycles/h	120
Max. mechanical cycles Cycles/h	600
Rated operational current I_e at 240 V AC	25 A

Technical Data MDR 5 acc. to EN 60947	
Bursting strength P_z	> 40 bar
Permissible medium temperature Air	- 5...+ 80 °C
Permissible medium temperature Water	+ 80 °C
Degree of Protection acc. to EN 60529	IP 54
Conductor cross-section 1 ... fine stranded cable 1 x / 2 x	2.5 / 2.5mm ²
Conductor cross-section 1 ... rigid cable 1 x / 2 x	4 / 4mm ²

Diaphragm media resistance MDR 5	
Acetylene, Gasoline, Butane, Diesel, Natural gas, Petroleum, Ethylene glycol, Glycerol, Fuel oil, Urine, Carbon dioxide, Carbonic acid, Air, Mineral oils, Vegetable oil, Propane, Silicon oil, Nitrogen, Synthetic oils, Water, Distilled water, Hydrogen, Sea water, Water steam	resistant

Pressure Switches

Condor Code	ON/OFF switch	Pressure Range in kPa	Connection	Thermal Overload (Amps)	Weight (gms)	Part Number
500 kPa						
MDR5/500 G1/2 2PG16V	-	150-500	½" BSP F	-	870	320000
800 kPa						
MDR5/800 G1/2 2PG16V	-	200-800	½" BSP F	-	870	3210000
1100 kPa						
MDR5/1100 G1/2 2PG16V	-	200-1100	½" BSP F	-	870	3230000
MDR5/1100K G1/2 2PG16V *	K	200-1100	½" BSP F	-	880	3310000
Switches with thermal overload protection						
MDR5/1100K G1/2 R5/4.2 2PG16V	K	200-1100	½" BSP F	2.4-4.2	1040	3410000
MDR5/1100K G1/2 R5/7.0 2PG16V	K	200-1100	½" BSP F	4.0-7.0	1040	3420000
MDR5/1100K G1/2 R5/10.3 2PG16V	K	200-1100	½" BSP F	6.1-10.3	1040	3440000
MDR5/1100K G1/2 R5/14 2PG16V	K	200-1100	½" BSP F	9-14	1050	3470000
MDR5/1100K G1/2 R5/18 2PG16V	K	200-1100	½" BSP F	11-18	1000	3480000
1600 kPa						
MDR5/1600 G1/2 2PG16V	-	250-1600	½" BSP F	-	870	3240000
MDR5/1600K G1/2 2PG16V *	K	250-1600	½" BSP F	-	870	3320000

* On/off switch will only operate when an R5 thermal overload relay is fitted.

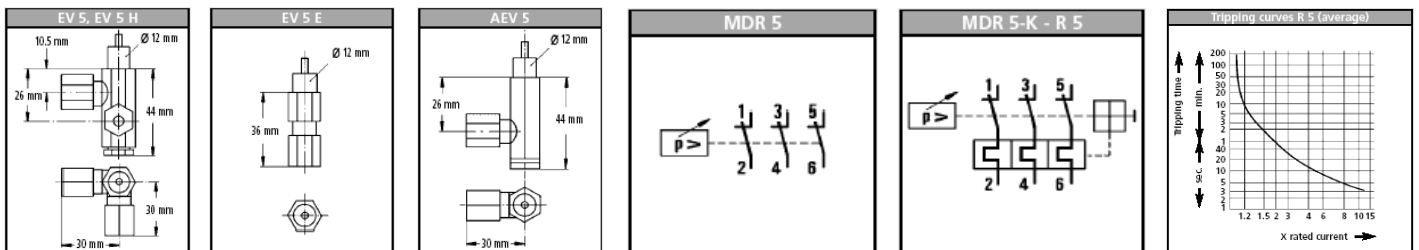


Pressure Switch MDR 5

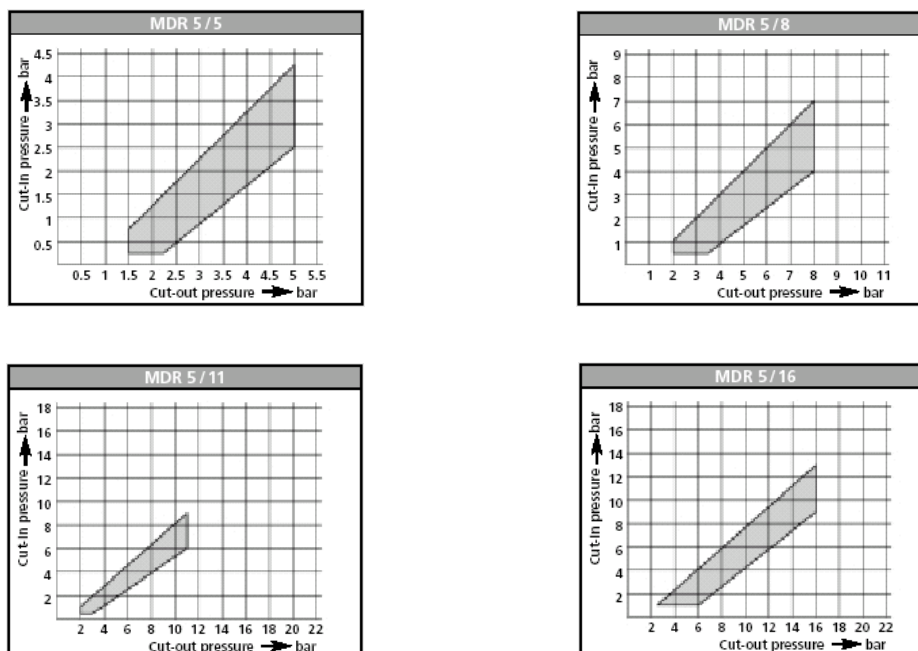


Pressure Switch Accessories

Condor Code	Description	Weight (gms)	Part Number
	Unloader valves		
EV5E	With screw fitting for 6 mm plastic or copper discharge line	100	3911050
EV5Ei	With screw fitting for 1/4" plastic or copper discharge line	100	3911051
EV5i	Right-angle valve with screw fitting for 1/4" plastic or copper discharge line c/w exhaust stub	100	3911000
	Unloader valves for difficult motor starting conditions		
AEV5i	Right-angle valve with screw fitting for 1/4" plastic or copper discharge line	100	3911100
	Cable Glands		
PG16V	Complete	12	3919210
	Cover		
H5	Cover without push-buttons	130	3917000
H5-K	Cover with push-buttons for manual On/Off switching only functions with R5 thermal overload fitted	130	3918000
	Thermal, 3-pole overload relay		
SK5	Contact block	95	3919150
R5/2.45	1.50 - 2.45 Amps	150	3620000
R5/4.2	2.40 - 4.20 Amps	150	3630000
R5/7.0	4.00 - 7.00 Amps	150	3640000
R5/10.3	6.10 - 10.30 Amps	150	3650000
R5/14	9.00 - 14.00 Amps	150	3660000
R5/18	11.00 - 18.00 Amps	180	3661000
	Spares		
	MDR5/1100 Diaphragm		3913000
	Leg Spring Suit MDR5/500 - 1600		3919155
	Brass Reducer 1/2" x 1/4"	45	4924705



Pressure Diagrams



The data provided above is for information purposes only and no warranty of accuracy or reliability is given. Ross Brown Sales Pty Limited reserves the right to change or modify this data without prior notice.

Rev 08/12