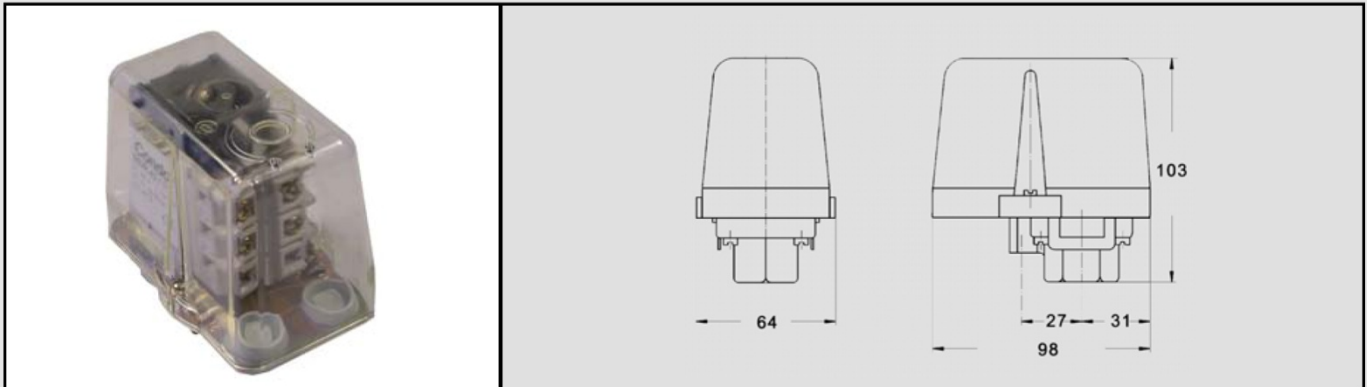


Control Pressure Switch MDR 43

max.cut-out pressure 16 bar
transparent cover
1 N.C. + 1 N.O.



Technical Data MDR 43

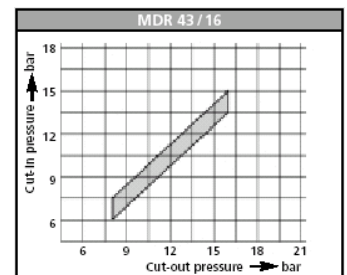
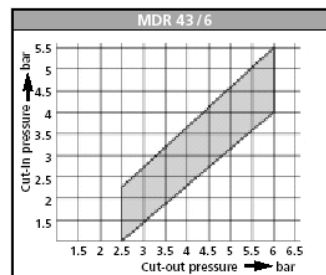
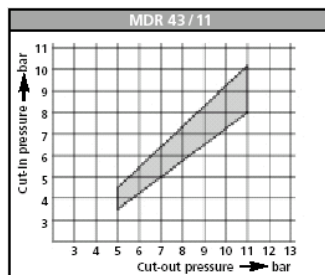
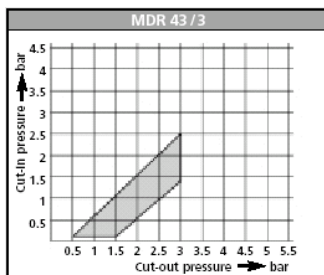
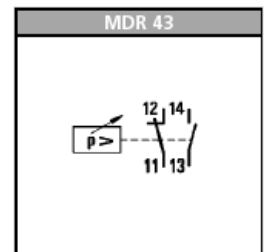
Technical Data MDR 43 acc. to EN 60947	
Rated insulation voltage U_i	500 V
Rated operating current I_o (AC 15)	8 A
Rated insulation voltage U_e (AC 15)	250 V
Electrical life (AC 3) Cycles	$> 1.5 \times 10^5$
Mechanical life Cycles	$> 1 \times 10^6$
Max. electrical cycles Cycles/h	120
Max. mechanical cycles Cycles/h	600
Rated operational current I_o at 240 V AC	10 A
Bursting strength P_z	> 60 bar

Technical Data MDR 43 acc. to EN 60947	
Permissible medium temperature Air	- 5...+ 80 °C
Permissible medium temperature Water	+ 80 °C
Conductor cross-section 1 .. flexible cable 1 x / 2 x	2.5 / 2.5mm ²
Conductor cross-section 1 rigid cable 1 x / 2 x	2.5 / 2.5mm ²

Diaphragm media resistance MDR 43	
Acetylene, Butane, Natural gas, Petroleum, Vinegar 25 %, Glycerol, Carbon dioxide, Air, Propane, Sulphur dioxide, Silicon oil, Water, Distilled water, Hydrogen, Sea water	resistant

Pressure Switches

Condor Code	ON/OFF switch	Pressure Range In kPa	Connection	Weight (gms)	Part Number
MDR43/300 G1/4	-	50-300	1/4" BSP F	440	3144750
MDR43/600 G1/4	-	250-600	1/4" BSP F	460	3145000
MDR43/1100 G1/4	-	500-1100	1/4" BSP F	480	3145200
MDR43/1600 G1/4	-	800-1600	1/4" BSP F	500	3145400



The data provided above is for information purposes only and no warranty of accuracy or reliability is given. Ross Brown Sales Pty Limited reserves the right to change or modify this data without prior notice.

Rev 08/12