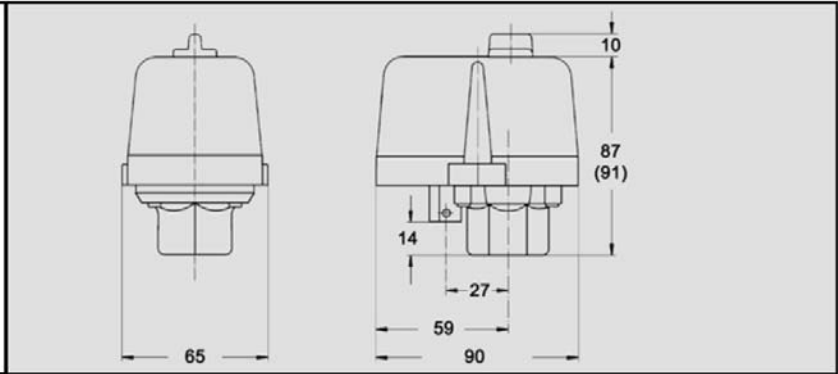


# Pressure Switch MDR 2

Single phase; Switching capacity 2.2 KW  
max. cut-out pressure 12 bar



## Technical Data MDR 2

Technical Data MDR 2 acc. to 60947	
Rated insulation voltage U <sub>i</sub>	500 V
Motor switching capacity (AC 3)	2.2 kW
U <sub>n</sub> =240 V (1~)	
Electrical life (AC 3) Cycles	> 1 x 10 <sup>5</sup>
Mechanical life Cycles	> 5 x 10 <sup>6</sup>
Max. electrical cycles Cycles/h	120
Max. mechanical cycles Cycles/h	600
Rated operational current I <sub>n</sub> at 240 V AC	20 A
Bursting strength P <sub>z</sub>	> 35 bar
Permissible medium temperature Air	- 5...+ 80 °C

Technical Data MDR 2 acc. to 60947	
Permissible medium temperature Water	+ 80 °C
Degree of Protection acc. to EN 60529	IP 44
Conductor cross-section 1 .. fine stranded cable 1 x / 2 x	2.5 / 2.5mm <sup>2</sup>
Conductor cross-section 1 rigid cable 1 x / 2 x	2.5 / 2.5mm <sup>2</sup>

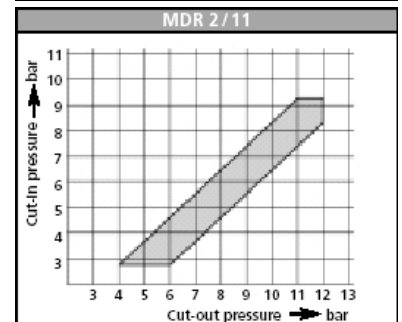
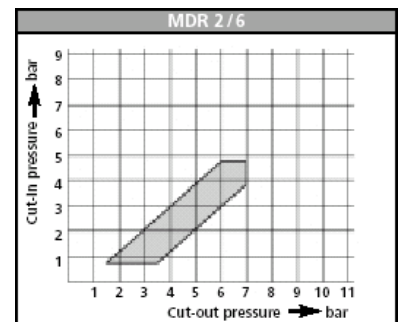
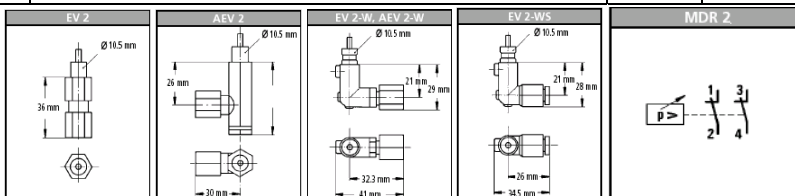
Diaphragm media resistance MDR 2	
Air, Water	resistant

## Pressure Switches

Condor Code	ON/OFF switch	Pressure Range In kPa	Connection	Weight (gms)	Part Number
MDR2/600 SL G1/4 2PG11Z	-	150-700	¼" BSP F	400	<b>3010550</b>
MDR2/1100 SL G1/4 EA EV2i 2PG11Z	EA	400-1200	¼" BSP F	400	<b>3011300</b>
MDR2/1100 SL EV2Wi 2PG11Z	-	400-1200	¼" BSP F	400	<b>3011310</b>
MDR2/1100 SL EA AEV2WS 2PG11Z	EA	400-1200	¼" BSP F	390	<b>3011315</b>
MDR2/1100 SL F4-G1/4 EA AEV2WS 2PG11Z	EA	400-1200	F4 x ¼" BSP F	380	<b>3013265</b>
MDR2/1100 SL F4-G1/4 EA EV2 2PG11Z	EA	400-1200	F4 x ¼" BSP F	380	<b>3013268</b>

## Pressure Switch Accessories

Condor Code	Description	Weight (gms)	Part Number
	<b>Unloader valves</b>		
EV2	With screw fitting for 6 mm plastic or copper discharge line	25	<b>3909001</b>
EV2i	With screw fitting for ¼" plastic or copper discharge line	37	<b>3909000</b>
EV2Wi	Right-angle valve with screw fitting for ¼" plastic or copper discharge line	15	<b>3909009</b>
EV2WS	Right-angle valve with quick-connect for 6 mm plastic discharge line	15	<b>3909011</b>
	<b>Unloader valves for difficult motor starting conditions</b>		
AEV2i	With screw fitting for ¼" plastic or copper discharge line	25	<b>3908500</b>
AEV2W	Right-angle valve with screw fitting for 6 mm plastic or copper discharge line	15	<b>3909012</b>
AEV2WS	Right-angle valve with quick-connect for 6 mm plastic discharge line	15	<b>3909010</b>
	<b>Cable Glands</b>		
PG11Z	With strain Relief	12	<b>3919200</b>
	<b>Cover</b>		
H2	Cover without rotary knob	40	<b>3913500</b>
H2-EA	Cover with rotary knob for manual On/Off switching	40	<b>3913600</b>



The data provided above is for information purposes only and no warranty of accuracy or reliability is given. Ross Brown Sales Pty Limited reserves the right to change or modify this data without prior notice.

Rev 08/12