

Condensate Handler™



Condensate Handler™ LEX



Drain-All, Inc.



Ross Brown Sales Pty Ltd

ABN 28 000 690 362
 Phone: 612 9899 2744 Fax: 612 9899 4233
 Email: sales@rossbrownsales.com.au
 Web: www.rossbrownsales.com.au

INTRODUCTION

Drain-All, Inc., is an engineering, manufacturing and marketing company, with an ISO 9002 certified quality system. Drain-All, Inc. provides unique, high quality, reliable product solutions for draining and moving liquids such as: (1) condensate removal from compressed air systems, (2) oils and lubricants from manufacturing or test equipment, and (3) liquids from atmospheric and vacuum systems.

In 1982 Drain-All, Inc. developed a world class automatic liquid drain valve and was granted several patents on that design. Not only are these patents still current today, they are being expanded and new ones are being added to provide an ever broadening range of application solutions.

Drain-All products are industrially robust, require little maintenance and since they do not require any electrical connections, can be easily installed on equipment at any point in a system. These patented devices are backed by an excellent warranty and a strong technical support staff who are available to assist customers in developing engineered solutions for all of their liquid drainage problems. The Drain-All, Inc. product line includes a wide array of products, options and accessories which enable customers to customize their particular liquid drainage systems. A world-wide network of full service Drain-All distributors has been established who are dedicated to providing outstanding local sales and service support.

SPECIFICATIONS

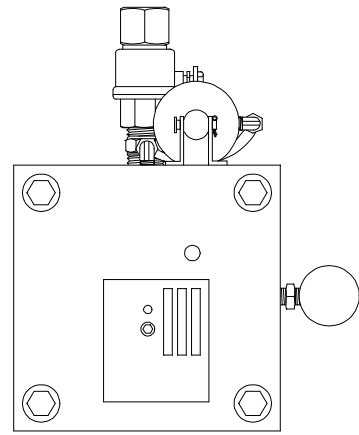
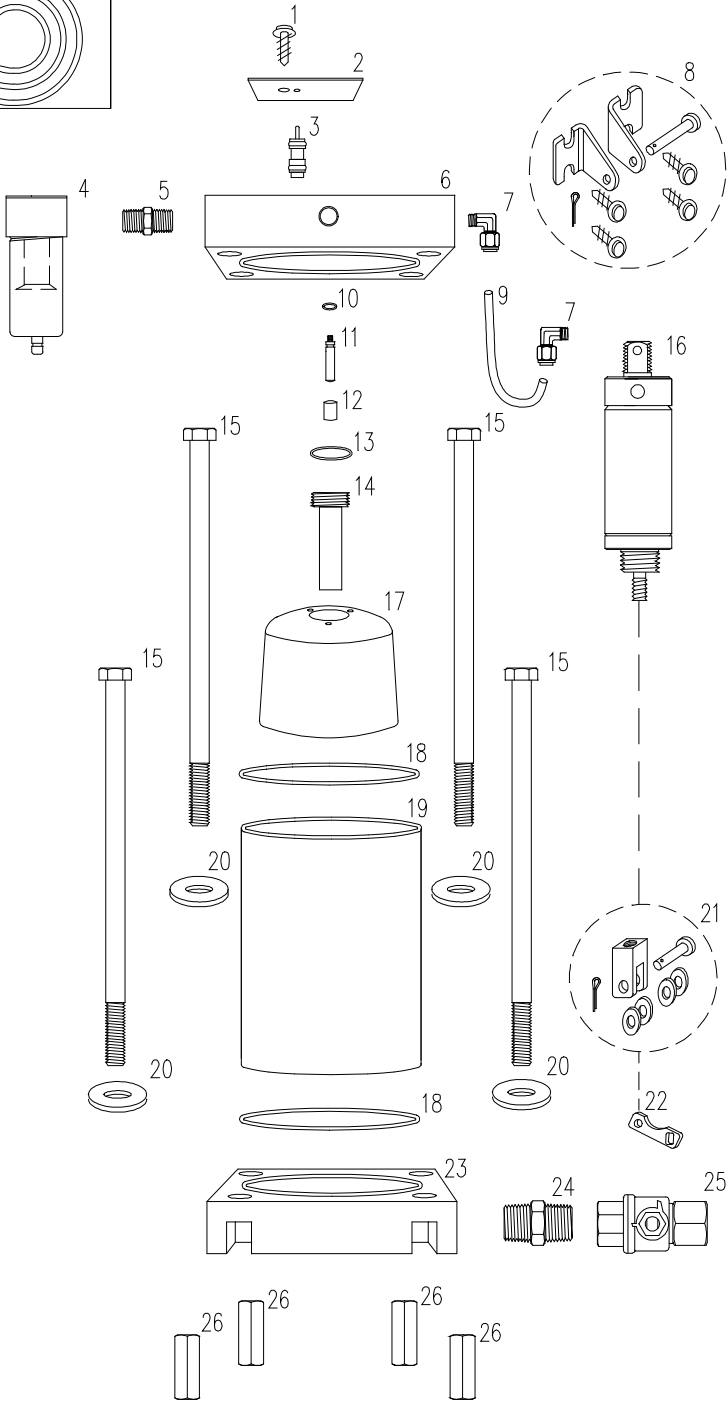
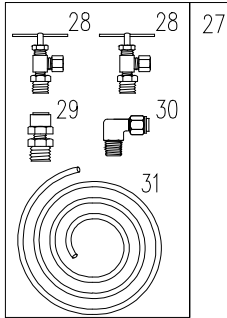
	Condensate Handler™ LEX
	#870740
Max Liquid Temp - °F (°C)	170 (76.7)
Max Liquid Pressure - PSIG (BARG)	170 (11.7)
Control Air Min - PSIG (BARG)	40 (2.8)
Control Air Max - PSIG (BARG)	130 (9.0)
Ht - inches (cm)	11 (27.9)
Width - inches (cm)	9-1/4 (23.5)
Depth (Inlet/BV) - inches (cm)	10-1/2 (26.7)
Inlet/Outlet - NPT	1/2
Control Air - NPT	1/4
Balance Line - NPT	1/8
Capacity	Varies with pressures/piping
Weight - LBS (KG)	21 (9.5)

Drain-All Quality System is ISO 9001:2000 Certified

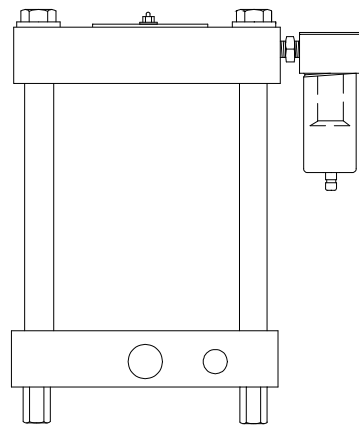
United States Patents
 4,444,217 4,562,855 4,574,829 5,004,004 5,014,735



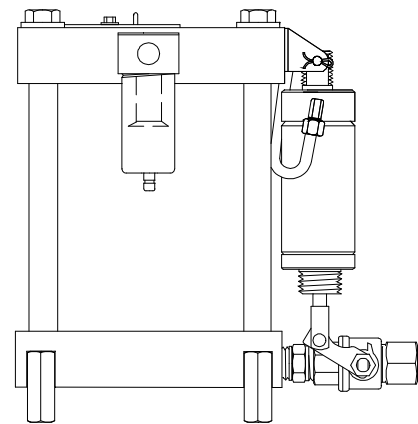
CONDENSATE HANDLER™ LEX COMPONENT PARTS DRAWING



VIEW 1



VIEW 2



VIEW 3

DETAILED DIMENSIONS ARE
IN DIMENSIONAL PRINT
DRAWING

102709CONDHLEXP



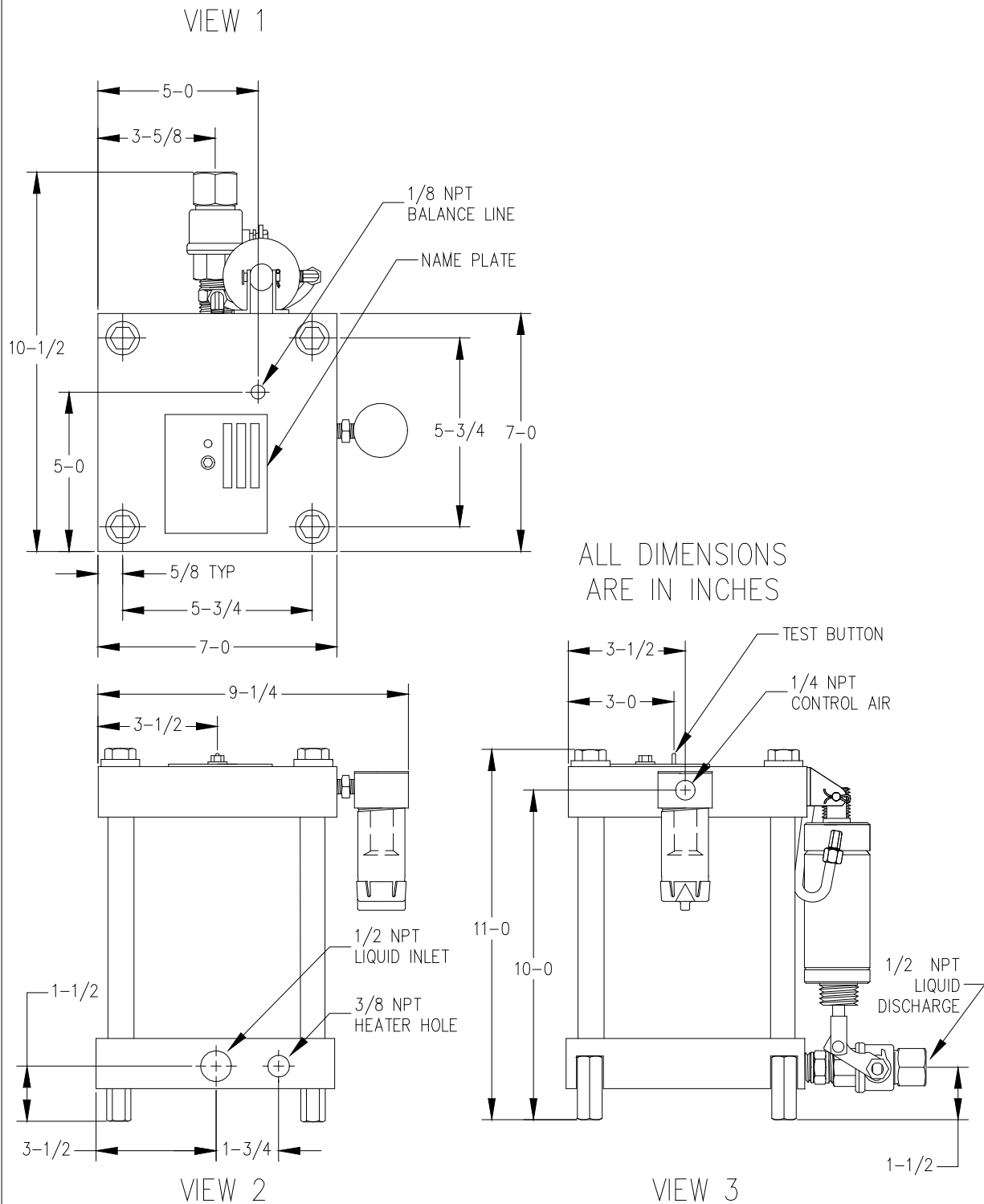
CONDENSATE HANDLER™ LEX

PARTS & MATERIALS OF CONSTRUCTION

CODE	PART #	ITEM	DESCRIPTION/REMARKS	Qty
1	302511	Screw, 10-24 x 0.5" L	Stainless Steel	1
2	302806	Name Plate	Aluminum	1
3	300600	Push to Test Button, 0.380" Dia x 1.265" L	Brass	1
4	300700	Control Air Filter Assembly, 1/4" NPT	Aluminum Head, Polycarbonate Bowl, Push Drain	1
5	300800	Hex Nipple, 1/4" NPT, 1-1/8" L	Brass	1
6	170102	Head, 7"x7"x1-1/2", 0.150" Groove	6061-T6 Aluminum	1
7	301000	Elbow Fitting, 1/8" NPT - 1/4" Tube	Brass	2
8	300295	Cylinder Mount Kit	Includes:	1
			(2) Brackets-Stainless Steel	
			(4) Screws-Stainless Steel	
			(1) Mount Pin-Stainless Steel	
			(1) Cotter Pin-Stainless Steel	
9	350352	Control Air Tube, 1/4" Dia x 7" L	Nylon	1
10	302210	Valve Stem O-ring, 0.235" ID x 0.069" T	Viton, Brown	1
11	100730	Valve Stem, 0.363" Dia x 2.235" L	O-ring Seal, 6061-T6 Aluminum	1
12	400100	Inner Magnet, 0.895" Dia x 1.450" L	Ceramic with Viton Ends and Covering	1
13	302215	Center Tube O-ring, 1.096" ID x 0.069" T	Viton, Brown	1
14	200170	Center Tube, 1.150" Dia x 4.500" L	O-ring Seal, 6061-T6 Aluminum	1
15	302312	Hex Bolt, 1/2" - 13 x 10" L	Stainless Steel	4
16	300314	Pneumatic Cylinder, 2" Dia	40 - 130 PSI, Stainless Steel Body and Rod, Aluminum Ends	1
17	100480	Float	Polyurethane, Bullet Shaped	1
18	302200	Sleeve O-ring, 5.519" ID x 0.137" T	Viton, Brown	2
19	100300	Sleeve, 6" ID x 7" L x .125" T	Epoxy Fiberglass, Translucent	1
20	301571	Washer, 1/2" SAE	Stainless Steel	4
21	300308	Clevis and Pin Kit	Includes:	1
			(1) Clevis-Stainless Steel	
			(4) Washer-Stainless Steel	
			(1) Clevis Pin-Stainless Steel	
			(1) Cotter Pin-Stainless Steel	
22	100800	Control Lever, 1.625" L x 0.500" W x 0.125" T	Stainless Steel for 1/2" NPT Ball Valve	1
23	170274	Base, 7"x7"x1-1/2", 1/2"NPT, 0.150" Groove	Through Ported, 6061-T6 Aluminum	1
24	300900	Hex Nipple, 1/2" NPT, 1-1/2" L	Brass	1
25	300205	Heavy Duty Ball Valve, 1/2" NPT	Double O-ring Viton Stem Seals, Nickel Plated Brass	1
26	302376	Coupling Nut, 1/2" - 13 x 1-3/4" L	Stainless Steel	4
27	301130	Installation Kit	Includes:	1
28			(2) Needle Valve, 1/8" Male NPT x 1/4" Tube-Brass	
29			(1) Straight Fitting, 1/8" Male NPT x 1/4" Tube-Brass	
30			(1) Elbow Fitting, 1/4" Male NPT x 1/4" Tube-Brass	
31			(1) 24' - 1/4" Dia LDPE Tube	



CONDENSATE HANDLER™ LEX DIMENSIONAL PRINT



102709CONDHLEXDP