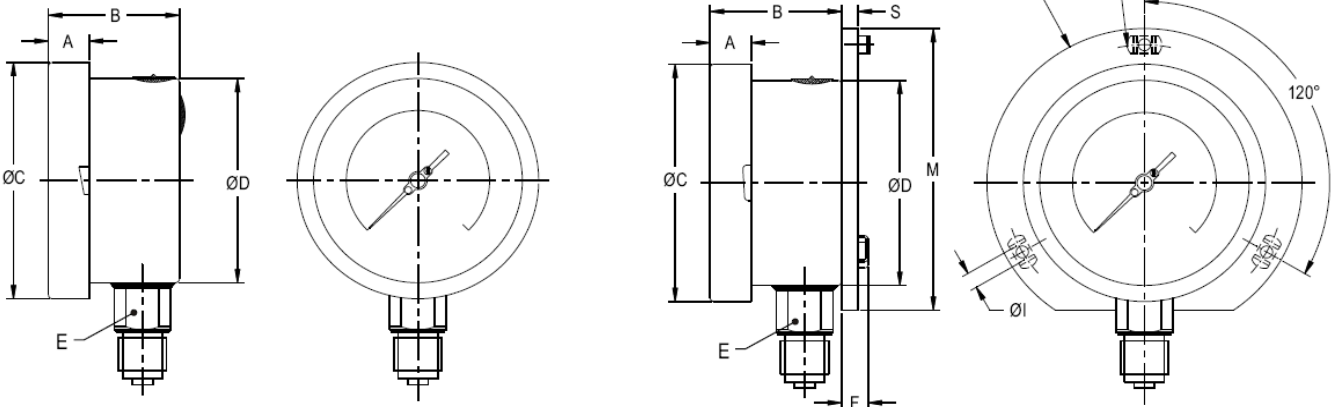




## 150mm Stainless Steel Pressure Gauge

### Model: AL-H-2

<b>Case and bezel material:</b>	304 Stainless Steel Liquid Fillable
<b>Connection:</b>	316L Stainless Steel
<b>Bourdon tube material:</b>	316L Stainless Steel
<b>Blowout protection:</b>	Rubber Disc on the Back
<b>Over Range Protection:</b>	125% of Full Scale up to 10,000 kPa 115% of Full Scale above 10,000 up to 60,000 kPa 110% of Full Scale above 60,000 up to 160,000 kPa
<b>Working temperature:</b>	Ambient = -25~65°C, Process = +300°C
<b>Dial:</b>	Aluminium, Black Print on White Background
<b>Ranges:</b>	-100~0 kPa to 0~160,000 kPa
<b>Connection:</b>	½" NPT Lower Mount
<b>Window:</b>	Shatterproof Safety Glass
<b>Surge protection:</b>	Internal Restrictor
<b>Movement:</b>	304 Stainless Steel
<b>Pointer:</b>	Micro Adjustable
<b>Accuracy:</b>	1.0% of Full Scale
<b>Protection Rating:</b>	IP65



Dimensions in mm

A	B	øC	øD	E	M	S	F	øl	øN	øU
15	49	161	149	22	174.5	6	14.5	6	186	168

Range (in kPa)	Lower Mount P/N	Range (in kPa)	Lower Mount P/N	Accessories
-100-0	2701512RB	0-1600	2701524RB	Back Flange P/N: 2701996RB
-100/+150	On Request	0-2500	2701526RB	Glycerine Filling P/N: 2701995
-100/+300	On Request	0-4000	2701528RB	Restrictor 0.5 mm P/N 2701988RB
-100/+500	On Request	0-6000	2701530RB	Pig-tail Sch80 316SS ½" NPT M & F P/N: 2911103RB
-100/+900	On Request	0-10000	2701532RB	Adjustable Restrictor ½" NPT M & F P/N: 2911130
-100/+1500	On Request	0-16000	2701534RB	Block and Bleed valve ½" NPT M & F P/N: 7068530
0-60	2701510RB	0-25000	2701536RB	Gauge Cock ½" NPT M & F P/N: 7069000
0-100	On Request	0-40000	2701538RB	Diaphragm seals: Please contact us with process details
0-160	2701515RB	0-60000	On Request	
0-250	2701514RB	0-100000	On Request	
0-400	2701516RB	0-140000	On Request	
0-600	2701518RB	0-160000	On Request	
0-800	2701520RB			
0-1000	2701522RB			
<b>Weight gms</b>	1020	Add 740 gms for glycerine filling		

Revision: 0115