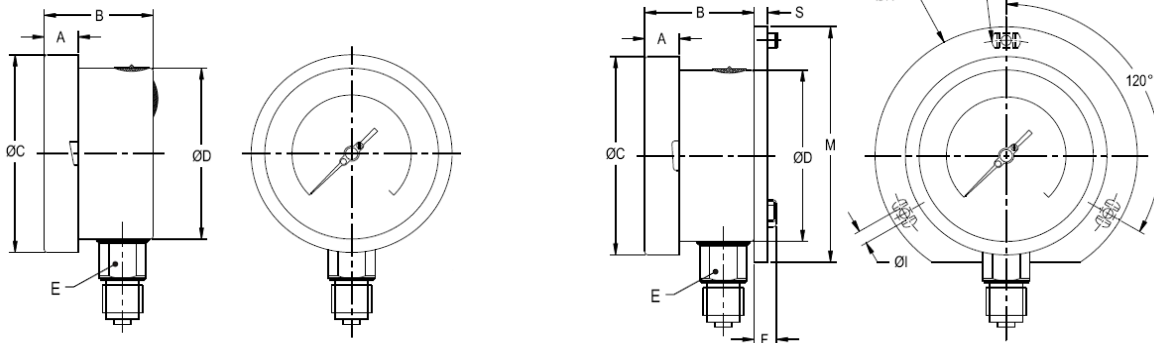




100mm Stainless Steel Pressure Gauge

Model: AL-F-2

Case and bezel material:	316 Stainless Steel Liquid Ffillable
Connection:	316L Stainless Steel
Bourdon tube material:	316L Stainless Steel
Blowout protection:	Rubber Disc on the Back
Over Range Protection:	125% of Full Scale up to 10,000 kPa 115% of Full Scale above 10,000 to 60,000 kPa 110% of Full Scale above 60,000 to 160,000 kPa
Working temperature:	Ambient = -25~65°C, Process = +300°C
Dial:	Aluminium, Black Print on White Background
Ranges:	-100~0 kPa to 0~160,000 kPa
Connection:	½" NPT Lower Mount
Window:	Shatterproof Safety Glass
Surge protection:	Internal Restrictor
Movement:	304 Stainless Steel
Pointer:	Micro-Adjustable
Accuracy:	1.0% of Full Scale
Protection Rating:	IP65



Dimensions in mm

A	B	ØC	ØD	E	M	S	F	ØI	ØN	ØU
12.5	48	111	100	22	128	6	14.5	6	134	118

Range (in kPa)	Lower Mount	Range (in kPa)	Lower Mount	Accessories
-100-0	2700300RB	0-2500	2700324RB	Glycerine Filling P/N: 2701999
-100/+150	2700303RB	0-4000	2700326RB	Back Flange
-100/+300	2700304RB	0-6000	2700328RB	P/N: 2701997RB
-100/+500	2700305RB	0-8000	2700330RB	Polycarbonate lens P/N: 2701992RB
-100/+900	2700307RB	0-10000	2700332RB	Restrictor 0.5 mm P/N: 2701988RB
-100/+1500	2700308RB	0-16000	2700334RB	Pig-tail Sch80 316SS ½" NPT M & F P/N: 2911103RB
0-100	2700310RB	0-25000	2700336RB	Adjustable Restrictor ½" NPT M & F P/N: 2911130
0-160	On request	0-40000	2700340RB	Block and Bleed valve ½" NPT M & F P/N: 7068530
0-250	2700314RB	0-60000	On request	Gauge Cock ½" NPT M & F P/N: 7069000
0-400	2700316RB	0-100000	On request	Diaphragm seals: Please contact us with process details
0-600	2700317RB	0-140000	On request	
0-800	2700318RB	0-160000	On request	
0-1000	2700320RB			
0-1600	2700322RB			
Weight gms	640	Add 300 gms for glycerine filling		

Revision: 0114