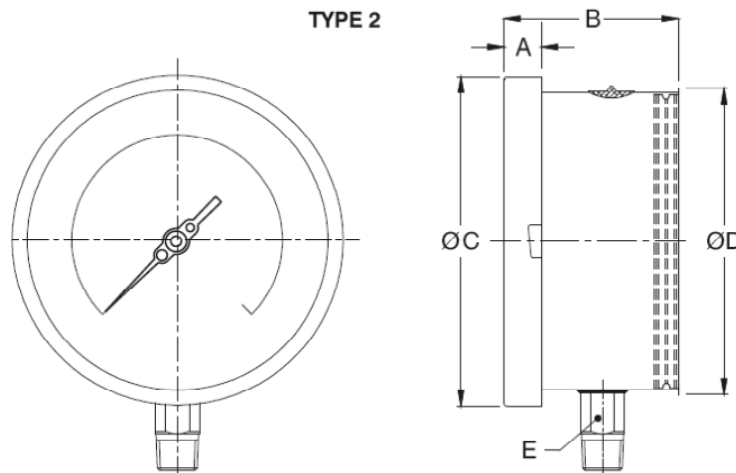




## 100mm S/S Solid Front Pressure Gauge

### Model: AI-F-2

<b>Gauge design:</b>	Fully Safety Pattern, Solid Front Rear Blowout
<b>Case and bezel material:</b>	316 Stainless Steel Liquid Fillable
<b>Connection:</b>	316L Stainless Steel
<b>Bourdon tube material:</b>	316L Stainless Steel
<b>Blowout protection:</b>	Full Blowout Back
<b>Over range protection:</b>	125% of Full Scale up to 10,000 kPa 115% of Full Scale above 10,000 to 60,000 kPa 110% of Full Scale above 60,000 to 160000 kPa
<b>Working temperature:</b>	Ambient = -20/+65°C, Process = max +300°C
<b>Dial:</b>	Aluminium, Black Print on White Background
<b>Ranges:</b>	-100~0 kPa to 0~160,000 kPa
<b>Connection:</b>	½" NPT Lower Mount
<b>Window:</b>	Shatterproof Safety Glass
<b>Surge protection:</b>	Internal Restrictor, 0.9 mm
<b>Movement:</b>	304 Stainless Steel
<b>Pointer:</b>	Micro-Adjustable
<b>Accuracy:</b>	1.0% of Full Scale



TYPE 2

Dimensions in mm

A	B	øC	øD	E
12.5	70	111	100	22

Range (in kPa)	Lower Mount P/N	Range (in kPa)	Lower Mount P/N	Accessories
-100-0	2690000RB	0-2500	2690120RB	Glycerine Filling P/N 2701999
-100/+150	2690010RB	0-4000	2690130RB	Restrictor 0.5 mm P/N 2701988RB
-100/+300	2690020RB	0-6000	2690140RB	Pig-tail Sch80 316SS ½" NPT M & F P/N: 2911103RB
-100/+500	2690030RB	0-8000	2690150RB	Adjustable Restrictor ½" NPT M & F P/N: 2911130
-100/+900	On request	0-10000	2690160RB	Block and Bleed valve ½" NPT M & F P/N: 7068530
-100/+1500	On request	0-16000	2690170RB	Gauge Cock ½" NPT M & F P/N: 7069000
0-100	2690040RB	0-25000	2690180RB	
0-160	2690050RB	0-40000	2690190RB	
0-250	2690060RB	0-60000	2690200RB	
0-400	2690070RB	0-80000	2690210RB	
0-600	2690080RB	0-100000	2690220RB	
0-800	2690090RB	0-160000	2690230RB	
0-1000	2690100RB			
0-1600	2690110RB			
<b>Weight gms</b>		760	Add 310 gms for glycerine filling	

Revision: 0115