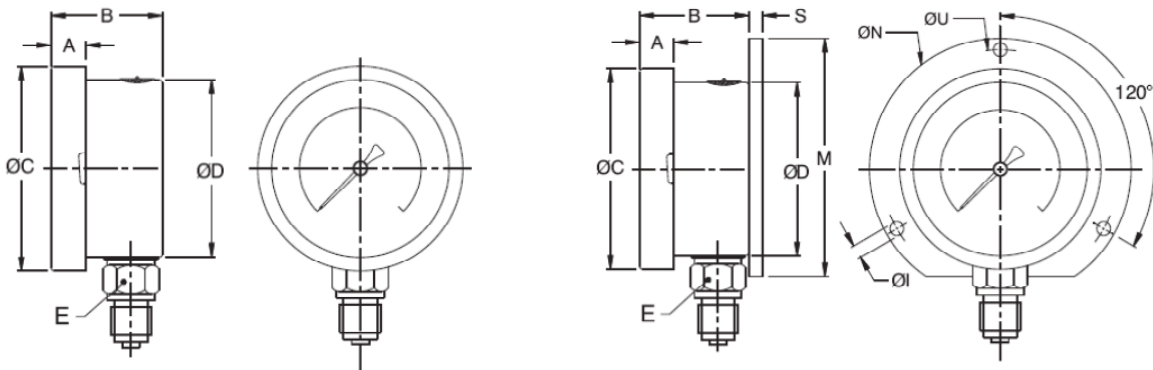




63mm Stainless Steel Pressure Gauge

Model: AD-D-2

Case and bezel material:	304 Stainless Steel Liquid Fillable
Connection:	316 Stainless Steel
Bourdon tube material:	316L Stainless Steel
Blowout protection:	Rubber Plug on Top
Over Range Protection:	125% of full scale up to 10,000 kPa 115% of full scale above 10,000 up to 60,000 kPa 110% of full scale above 60,000 up to 100,000 kPa
Working temperature:	Ambient = -25~+65°C, Process = +180°C
Dial:	Aluminium, Dual Scale, Black kPa, Red psi on White Dial
Ranges:	-100~0 kPa to 0~160,000 kPa
Connection:	1/4" NPT lower mount
Window:	Shatter Proof Safety Glass
Surge protection:	Internal Restrictor
Movement:	304 Stainless Steel
Pointer:	Standard Non-Adjustable
Accuracy:	1.6% of full scale
Protection Rating:	IP65



Dimensions in mm

A	B	ØC	ØD	E	S	ØN	ØI	ØU	M
10	31	69.5	62.5	A/F14	7	86	3.6	75	80

Range (in kPa)	Lower Mount P/N	Range (in kPa)	Lower Mount P/N	Accessories
-100-0	1369040RB	0-2500	1369080RB	Back Flange
-100/+150	1369041RB	0-4000	1369085RB	P/N: 1369997RB
-100/+300	On request	0-6000	On request	Glycerine Filling
-100/+500	On request	0-8000	1369087RB	P/N: 1369999
-100/+900	On request	0-10000	1369090RB	Rubber Boot
-100/+1500	On request	0-16000	1369100RB	P/N: 1619919
0-100	1369042RB	0-25000	1369110RB	Adjustable Restrictor 1/4"NPT
0-160	1369043RB	0-40000	1369120RB	M & F
0-250	1369046RB	0-60000	1369130RB	P/N: 2911133
0-400	1369047RB	0-70000	On request	
0-600	1369049RB	0-100000	On request	
0-800	1369051RB **	0-160000	On request	
0-1000	1369060RB			
0-1600	1369070RB	** Also Available in BSPT, P/N 1369050RB		
Weight gms	180	Add 60gms for Glycerine Filling		

Revision: 0114