



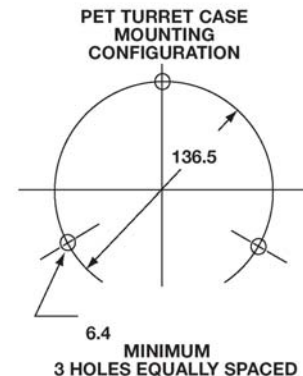
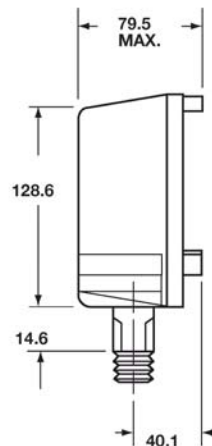
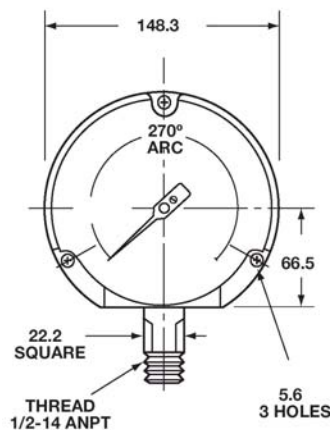
# Ross Brown Sales Pty. Ltd.

ABN 28 000 690 362  
 21 Brookhollow Ave, Baulkham Hills NSW 2153  
 PO Box 6345 BHBC NSW 2153 Australia  
 Phone: (02) 9899 2744 Fax: (02) 9899 4233  
 Email: [sales@rossbrownsales.com.au](mailto:sales@rossbrownsales.com.au)  
 Website: [www.rossbrownsales.com.au](http://www.rossbrownsales.com.au)

## 115mm Refinery Pressure Gauge – Solid Front Monel

### Model: Solfrunt 1986

<b>Gauge design:</b>	Full safety pattern, solid front rear blowout, turret case
<b>Case material:</b>	Petra 130, integral surface mount: Dry, liquid fillable and filled
<b>Bezel material:</b>	Threaded polypropylene
<b>Connection material:</b>	Monel
<b>Bourdon tube material:</b>	Monel
<b>Blowout protection:</b>	Full blowout back
<b>Working temperature:</b>	Dry = -40~+87° C, Liquid filled = 0~+60° C
<b>Dial:</b>	Aluminium, black print on white background
<b>Ranges:</b>	0~100 kPa to 0~21000 kPa
<b>Connection:</b>	½" NPT lower mount
<b>Window:</b>	High temperature Acrylic
<b>Movement:</b>	300 series stainless steel
<b>Pointer:</b>	Micro-adjustable
<b>Accuracy:</b>	0.5% of full scale
<b>Protection rating:</b>	Fillable version = IP 65
<b>Nace Certification</b>	MR-01-75 up to 35000 kPa



Dimensions in mm

Range (in kPa)	Dry Case P/N	Range (in kPa)	Dry Case P/N	Accessories & Part Numbers
-100-0	On Request	0-1000	2353050	Maximum Pointer P/N: 2911500
-100/+100	On Request	0-1600	2353052	Panel Mount Ring P/N: 2911700
-100/+400	On Request	0-2100	On Request	Laminated Safety Glass P/N: 2913650
-100/+700	On Request	0-2800	2353056	S/S Identification Tag P/N: 2359991
-100/+1000	On Request	0-4000	2353058	Glycerine Filling Kit P/N: 2911100
0-100	2353040	0-6000	2353060	Glycerine Filling P/N: 2911101
0-200	2353042	0-14000	2353066	
0-400	2353044	0-21000	2353078	
0-600	2353046	0-35000	On Request	<b>Accessories On Request Include:</b> Various diaphragm seals, custom dials, calibration certificates.
0-800	2353048	0-60000	On Request	
<b>Weight gms</b>	930	Add 480 gms for glycerine filling		

Revision: 0905