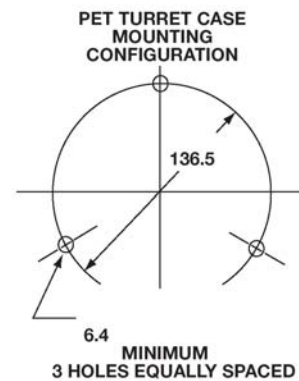
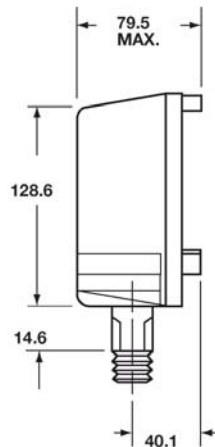
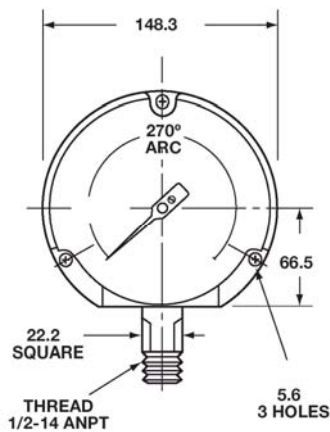
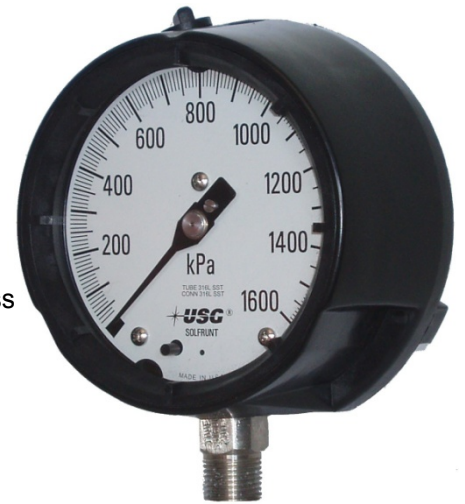




# 115mm Refinery Pressure Gauge - Solid Front

## Model: Solfrunt 1981

<b>Gauge design:</b>	Full safety pattern, solid front rear blowout, turret case
<b>Case material:</b>	Petra 130, integral surface mount: Dry, liquid fillable and filled
<b>Bezel material:</b>	Threaded polypropylene
<b>Connection material:</b>	316 Stainless Steel
<b>Bourdon tube material:</b>	316 Stainless Steel
<b>Blowout protection:</b>	Full blowout back
<b>Working temperature:</b>	Dry = -40~+87°C, Liquid filled = 0~+60°C
<b>Dial:</b>	Aluminium, black print on white background
<b>Ranges:</b>	-100~0 kPa to 0~80000 kPa
<b>Connection:</b>	½" NPT lower mount
<b>Window:</b>	High temp acrylic lens or laminated safety glass
<b>Surge protection:</b>	Internal restrictor available
<b>Movement:</b>	300 series stainless steel
<b>Pointer:</b>	Micro-adjustable
<b>Accuracy:</b>	0.5% of full scale
<b>Protection rating:</b>	Fillable version = IP65



Dimensions in mm

Range (in kPa)	Dry Case P/N	Fillable Case P/N	Range (in kPa)	Dry Case P/N	Fillable Case P/N	Accessories & Part Numbers
-100-0	2330000	2330001	0-2500	2339000	2339001	Internal Restrictor P/N: 2911200
-100/+100	2330050	On request	0-4000	2340000	2340001	Maximum Pointer P/N: 2911500
-100/+200	2330150	On request	0-6000	2341000	2341001	Panel Mount Ring P/N: 2911700
-100/+300	On request	On request	0-8000	2342000	2342001	High Temp Acrylic Lens P/N: 2913649
-100/+700	On request	On request	0-10000	2343000	2343001	Laminated Safety Glass P/N: 2913650
-100/+1000	On request	On request	0-16000	2344100	2344101	S/S Identification Tag P/N: 2359991
-100/+2000	On request	On request	0-25000	2345500	2345501	Pig-tail Sch80 316SS ½" P/N: 2911103RB
0-100	2331000	2331001	0-40000	2346000	2346001	NPT M & F
0-250	2333000	2333001	0-60000	2346500	2346501	Adjustable Restrictor ½" P/N: 2911130
0-400	2334000	2334001	0-80000	2347500	2347501	NPT M & F
0-600	2335000	2335001	<b>Accessories On Request Include:</b> Pulsation, dampeners, various diaphragm seals, custom dials, calibration certificates, over pressure limiting valve, various capillary lines.			Block and Bleed valve ½" P/N: 7068530
0-800	2336000	2336001				NPT M & F
0-1000	2337000	2337001				Gauge Cock ½" NPT M & F P/N: 7069000
0-1600	2338100	2338101				Glycerine Filling P/N: 2911101
<b>Weight gms</b>	930	1000				
Add 480 gms for glycerine filling						

Revision: 0115