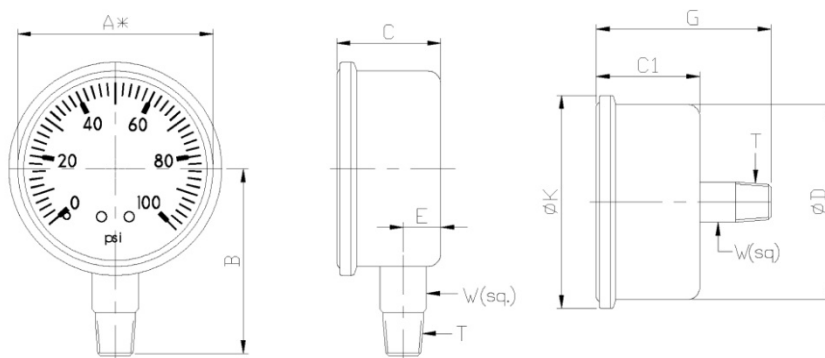




General Purpose Pressure Gauge: Stainless Steel Case

Model 414

Case and bezel material: 304 Stainless Steel
Connection: Copper alloy
Bourdon tube material: Copper alloy
Working temperature: Ambient = -20~60° C, Process = +70° C
Dial: Black print kPa, red print PSI, on white background
Ranges: -100~0 kPa to dual scale 0~4000 kPa/PSI
Connection: 1/8" BSPT, (50 mm lower mount is 1/4" BSPT)
Window: Polycarbonate
Surge protection: Available on request
Movement: Copper alloy
Pointer: Aluminium black finish
Accuracy: +/- 2.5% of full scale



Dimensions in mm

	A*	B	C	C1	D	E	G	K	W _{LM}	W _{CBM}
40	38.0	37.0	22.0	26.2	40.7	7.0	45.7	42.0	11	14
50	50.3	45.3	27.8	28.0	51.5	10.0	45.2	57.6	14	14

40 mm Diameter			50 mm Diameter		Accessories
Range (in kPa)	Lower Mount P/N	Centre Back Mount P/N	Lower Mount P/N	Centre Back Mount P/N	
-100-0		1610601	1610860	1612040	40mm panel mount kit Part No.: 1610850
-100/+150					
-100/+1000					
-100/+1500					50mm panel mount kit Part No.: 1612450
0-100			1610880		
0-160			1610900		
0-250	1610350	1610620	1611080	1612050	
0-400	1610400	1610650	1611150	1612163	50mm front flange Part No.: 1612452
0-600					
0-800			1611263	1612245 ₄	
0-1000	1610520	1610750 ₁	1611302	1612300 ₅	Restrictor 0.46mm Part No.: 1619915
0-1600			1611350	1612400 ₆	
0-2500			1611390 ₂		
0-4000			1611700	1612470	Restrictor 0.25mm Part No.: 1619916
Weight gms	60	90	120	125	

Legend

- | | | | |
|-----------------------------|---------------------|-----------------------------|---------------------|
| 1. Available with 1/4" BSPT | - Part No.: 1610780 | 4. Available with 1/4" BSPT | - Part No.: 1612250 |
| 2. Supplied with 1/4" NPT | | 5. Available with 1/4" BSPT | - Part No.: 1612350 |
| 3. Available with 1/2" BSPT | - Part No.: 1612052 | 6. Available with 1/4" BSPT | - Part No.: 1612440 |

Revision: 0115