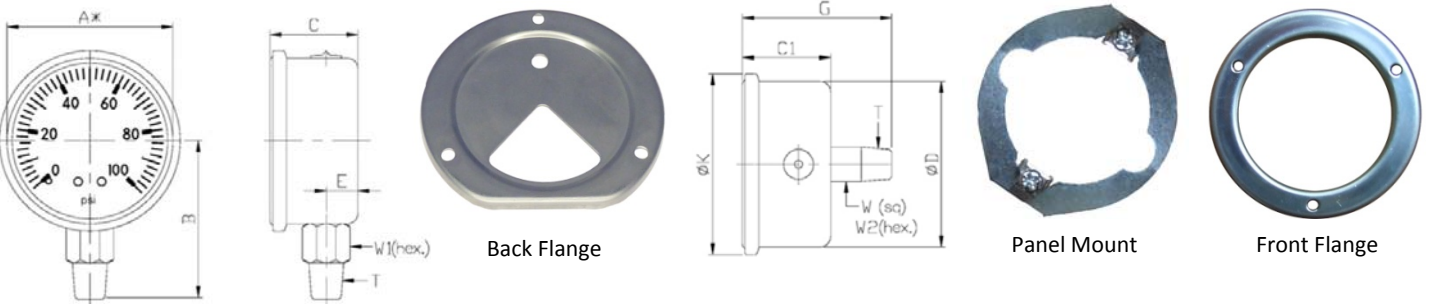




Liquid Filled General Purpose Pressure Gauge

Model 411

Case and bezel material: 304 stainless steel, liquid filled with vent plug
Connection: Copper alloy
Bourdon tube material: Copper alloy
Working temperature: Ambient = -20~60° C, Process = +70° C
Dial: Black print (kPa) red print (PSI) on white background
Ranges: -100~0 kPa to dual scale 0~40000 kPa/PSI
Connection: ¼" BSPT for 63 mm, 3/8" BSPT for 100 mm
Surge Protection: Available on request
Window: Polycarbonate
Movement: Copper alloy
Pointer: Aluminium black finish
Accuracy: +/- 2.5% of full scale



Dimensions in mm

	A*	B	C	C1	D	E	G	K	W1	W2
63	62.2	54.5	30.0	30.5	60.8	10.0	58.8	68.8	14.0	14.0
100	96.5	78.5	32.0	34.3	98.7	9.8	73.0	104.0	22.0	21.0

Range (in kPa)	63mm diameter		100mm diameter		Accessories
	Lower Mount P/N	Centre Back Mount P/N	Lower Mount P/N	Centre Back Mount P/N	
-100-0	1613850H	1615050	1618500H		63mm panel mount kit for CBM Gauge P/N: 1615950
-100/+150	1613860H		1618525H		
-100/+1000			1618527H		
-100/+1600	1613880H		1618528H		63mm front flange for CBM Gauge P/N: 1615952
0-100	1613900H	1615100			
0-250	1613950H	1615150	1618530H		
0-400	1614000H		1618540H		
0-600	1614050H	1615250			Restrictor 0.46mm P/N: 1619915
0-800	1614100H	1615300	1618560H		
0-1000	1614150H	1615350	1618570H		
0-1600	1614200H	1615400 *	1618580H	1618690 **	Restrictor 0.25mm P/N: 1619916
0-2500	1614250H	1615450	1618590H		
0-25 bar/360 PSI Isometric	1614263	1615452	1618595		
0-4000	1614300H	1615500	1618600H		63mm rubber boot P/N: 1619919
0-6000	1614325H	1615550	1618610H		
0-8000	1614350H	1615600			
0-10000	1614400H				Back Flange, Suit 63mm for LM Gauge P/N: 1369997
0-16000	1614450H	1615650			
0-25000	1614520H	1615700	* = Available with U-Bracket P/N 1615402		
0-40000	1614580H	1615930	** = Liquid fillable		
0-55000		1615945			Back Flange, Suit 100mm for LM Gauge P/N: 2701997
0-60000	1614589H				
Weight gms	225	260	515	335	

Revision: 0115