



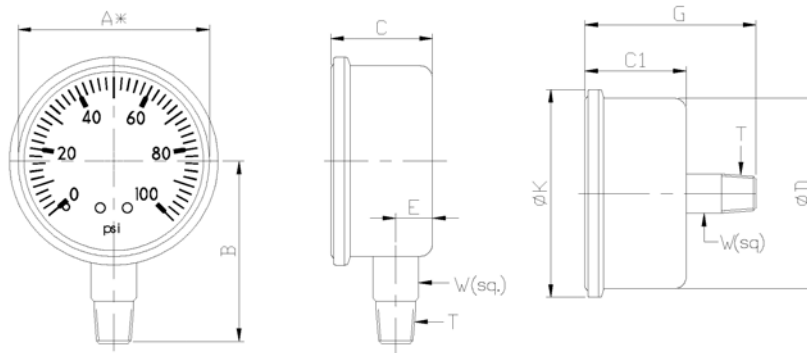
# Ross Brown Sales Pty. Ltd.

ABN 28 000 690 362  
 21 Brookhollow Ave, Baulkham Hills NSW 2153  
 PO Box 6345 BHBC NSW 2153 Australia  
 Phone: (02) 9899 2744 Fax: (02) 9899 4233  
 Email: [sales@rossbrownsales.com.au](mailto:sales@rossbrownsales.com.au)  
 Website: [www.rossbrownsales.com.au](http://www.rossbrownsales.com.au)

## General Purpose Pressure Gauge: Stainless Steel Case

### Model 414

**Case and bezel material:** 304 Stainless Steel  
**Connection:** Copper alloy  
**Bourdon tube material:** Copper alloy  
**Working temperature:** Ambient = -20~60° C, Process = +70° C  
**Dial:** Black print kPa, red print PSI, on white background  
**Ranges:** -100~0 kPa to dual scale 0~4000 kPa/PSI  
**Connection:** 1/8" BSPT, (50 mm lower mount is 1/4" BSPT)  
**Window:** Polycarbonate  
**Surge protection:** Available on request  
**Movement:** Copper alloy  
**Pointer:** Aluminium black finish  
**Accuracy:** +/- 2.5% of full scale



	A*	B	C	C1	D	E	G	K	T	W <sub>LM</sub>	W <sub>CBM</sub>
40	38.0	37.0	22.0	26.2	40.7	7.0	45.7	42.0	1/8" BSPT	11	14
50	50.3	45.3	27.8	28.0	51.5	10.0	45.2	57.6	1/8" BSPT	14	14

40 mm Diameter			50 mm Diameter		Accessories
Range (in kPa)	Lower Mount P/N	Centre Back Mount P/N	Lower Mount P/N	Centre Back Mount P/N	
-100-0		1610601	1610860	1612040	40mm panel mount kit Part No.: 1610850
-100/+150					
-100/+1000					50mm panel mount kit Part No.: 1612450
-100/+1500					
0-100			1610880		
0-160			1610900		
0-250	1610350	1610620 <sub>1</sub>	1611080 <sub>5</sub>	1612050 <sub>7,8</sub>	
0-400	1610400	1610650 <sub>2,3</sub>	1611150	1612163	50mm front flange Part No.: 1612452
0-600					
0-800			1611263	1612245 <sub>9</sub>	
0-1000	1610520	1610750 <sub>4</sub>	1611302	1612300 <sub>10</sub>	Restrictor 0.46mm Part No.: 1619915
0-1600			1611350	1612400 <sub>11</sub>	
0-2500			1611390 <sub>6</sub>		
0-4000			1611700	1612470	Restrictor 0.25mm Part No.: 1619916
<b>Weight gms</b>	60	90	120	125	

#### Legend

- |   |                     |   |                     |
|---|---------------------|---|---------------------|
| 1. With 1/8" NPT & the word <b>INSTRUMENT</b> | - Part No.: 1610611 | 7. Available with 1/4" BSPT                     | - Part No.: 1612052 |
| 2. With 1/8" NPT & the word <b>OUTPUT</b>     | - Part No.: 1610661 | 8. Available with 1/4" BSPT & Filter Clean Dial | - Part No.: 1612120 |
| 3. With 1/8" NPT & the word <b>SUPPLY</b>     | - Part No.: 1610671 | 9. Available with 1/4" BSPT                     | - Part No.: 1612250 |
| 4. Available with 1/4" BSPT                   | - Part No.: 1610780 | 10. Available with 1/4" BSPT                    | - Part No.: 1612350 |
| 5. Available with Filter Clean Dial           | - Part No.: 1611100 | 11. Available with 1/4" BSPT                    | - Part No.: 1612440 |
| 6. Supplied with 1/4" NPT                     |                     |   |                     |

Revision: 0306