



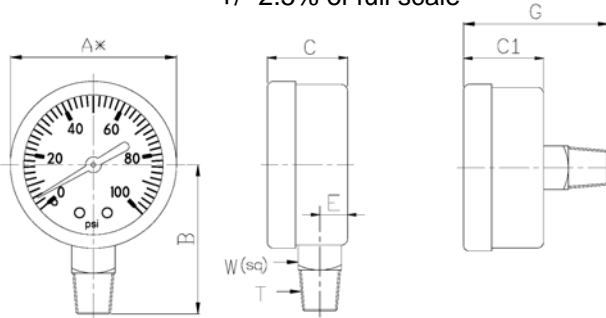
Ross Brown Sales Pty. Ltd.

ABN 28 000 690 362
 21 Brookhollow Ave, Baulkham Hills NSW 2153
 PO Box 6345 BHBC NSW 2153 Australia
 Phone: (02) 9899 2744 Fax: (02) 9899 4233
 Email: sales@rossbrownsales.com.au
 Website: www.rossbrownsales.com.au

General Purpose Pressure Gauge: Steel Case

Model 121

Case and bezel material:	Black painted steel
Connection:	Copper alloy
Bourdon tube material:	Copper alloy
Working temperature:	Ambient = -20~60° C, Process = +70° C
Dial:	Black print kPa, red print PSI (80 & 100 mm kPa only) on white background
Ranges:	-100~0 kPa to dual scale 0~6000 kPa/PSI (80 & 100 mm single scale kPa)
Connection:	¼" BSPT, (100 mm is 3/8" BSPT)
Window:	Polycarbonate, (80 & 100 mm is glass)
Surge protection:	Available on request
Movement:	Copper alloy
Pointer:	Aluminium black finish
Accuracy:	+/- 2.5% of full scale



Dimensions in mm

	A *	B	C	C1	E	G	T
50	52.8	45.6	26.4	26.4	9.3	48.5	1/4" BSPT
63	63.2	53.6	29.8	30.0	9.8	52.1	1/4" BSPT
80	77.0	68.2	34.6	32.8	13.0	54.0	1/4" BSPT
100	100.5	80.5	35.5		13.1		3/8" BSPT

Size	50mm		63mm		80mm		100mm	Accessories
Range (in kPa)	Lower Mount P/N	Centre Back Mount P/N	Lower Mount P/N	Centre Back Mount P/N	Lower Mount P/N	Centre Back Mount P/N	Lower Mount P/N	
-100-0			1612510	1613501 5	1616500		1618000	63mm glass lens
-100/+150							1618050	P/N 1619950
-100/+1600							1618055	
0-100			1612530	1613541 5				Restrictor 0.46mm
0-250			1612600	1613560	1616600		1618100	P/N 1619915
0-400	1611152 1		1612730		1616650		1618150	Restrictor 0.46mm
0-600			1612740					P/N 1619915
0-800	1611261 3		1612750		1616700		1618200	
0-1000	1611300 2	1612311 4	1612770	1613580	1616750		1618250	100mm back flange
0-1600	1611352	1612402	1612810	1613590	1616800 7	1617530 7	1618300	P/N 1619700
0-2500			1612850	1613596 6	1616850 7	1617550	1618350 8	
0-4000			1613150	1613600	1616900		1618400	
0-6000			1613200	1613620				
0-8000	1611800 1							
0-16000	1611900 1							
0-25000	1611940 1							
Weight gms	115	120	146	205	285	225	400	

Legend

- | | |
|--|--|
| 1. Safety pattern case model 512 | 5. Supplied with stainless steel case and front flange model 414 |
| 2. Available in safety pattern P/N 1611301 | 6. Supplied with ½" BSPT |
| 3. Available in 1/8" BSPT P/N 1611260 | 7. Supplied with red line at 970 kPa |
| 4. Supplied with 1/8" BSPT | 8. Available with ½" BSPT PN 1618350 |

Revision: 0605