



AMETEK
LAMB ELECTRIC

Product Bulletin

Model: 119748-00

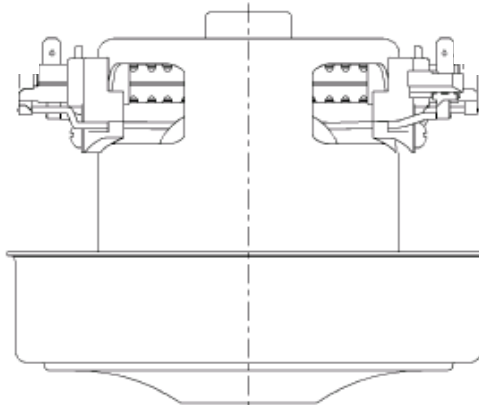
DESCRIPTION

- Single stage
- 240 volts
- 5.1", 130 mm diameter
- Double ball bearings
- Single speed
- Thru-Flow discharge
- Steel fan end bracket
- Steel cup commutator bracket

DESIGN APPLICATION

Equipment operating in environments not requiring separation of working air from motor ventilating air

Designed to handle clean, dry, filtered air only



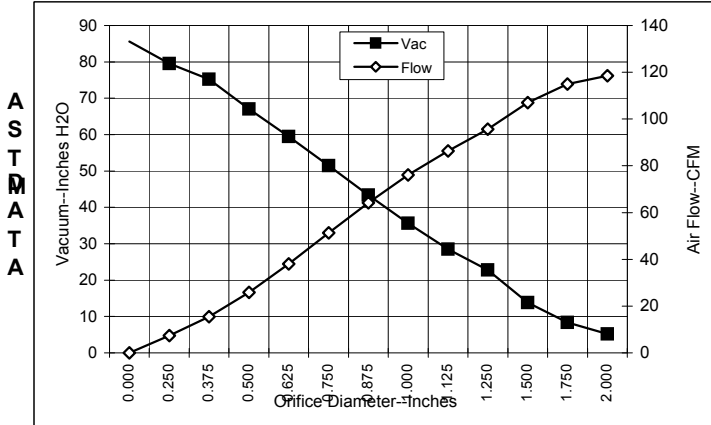
SPECIAL FEATURES

- Suitable for 240 volt AC operation, 50/60 Hz
- UL recognized, category PRGY2 (E47185)
- Provision for grounding
- Skeleton frame, cup design

The Lamb vacuum motor line offers a wide range of performance levels to meet design needs

TYPICAL MOTOR PERFORMANCE.*

(At 240 volts, 60Hz, test data is corrected to standard conditions of 29.92 Hg, 68° F.)



Orifice (Inches)	Amps	Watts (In)	RPM	Vac (In.H ₂ O)	Flow (CFM)	Air Watts
2.000	3.6	839	27420	3.92	103.4	47
1.750	3.6	844	27457	6.4	101.4	77
1.500	3.6	847	27320	10.8	95.6	123
1.250	3.6	849	27313	19.2	88.1	199
1.125	3.6	849	27330	25.2	81.5	241
1.000	3.6	843	27370	32.7	73.1	281
0.875	3.5	831	27587	41.2	62.6	304
0.750	3.4	807	28050	50.0	50.5	297
0.625	3.2	768	28843	58.4	37.8	260
0.500	3.0	712	30040	65.9	25.6	199
0.375	2.7	647	31590	73.4	15.3	132
0.250	2.5	593	33217	79.4	7.4	69
0.000	2.3	594	34677	86.3	0.0	0

* Data represents performance of a typical motor sampled from a large production quantity. Individual motor data may vary to normal manufacturing variations.



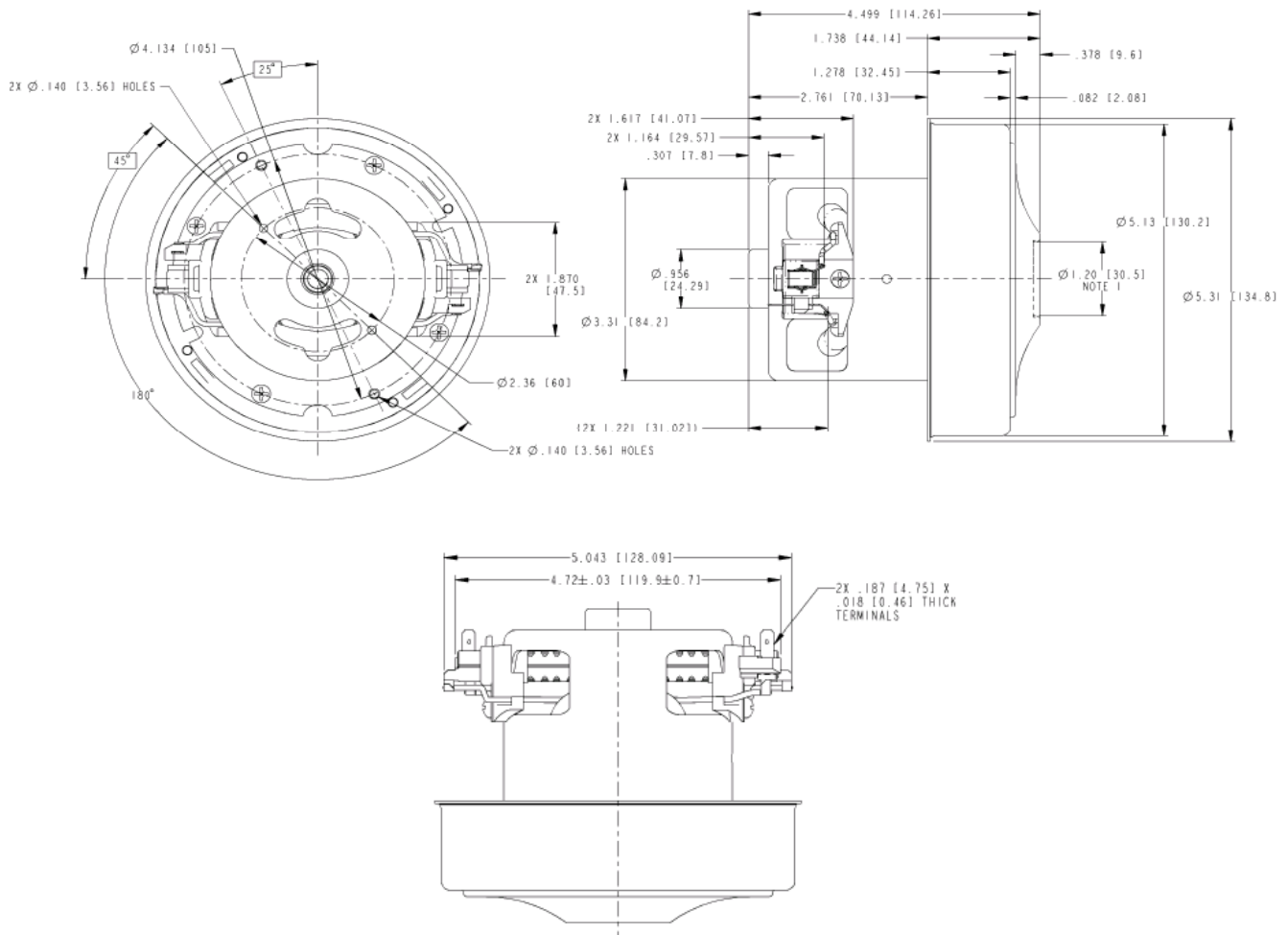
Ross Brown Sales Pty Ltd

ABN 28 000 690 362
Phone: 612 9899 2744 Fax: 612 9899 4233
Email: sales@rossbrownsales.com.au
Web: www.rossbrownsales.com.au

DIMENSIONS

NOTES:

1. MOUNTING MUST NOT RESTRICT THIS DIAMETER.



IMPORTANT NOTE: Pictorial and dimensional data are subject to change without notice. Contact factory for current revision levels.

WARNING - Ametek/Lamb Electric thru-flow vacuum motors must never be used in applications in which wet or moist conditions are involved, where dry chemicals or other volatile materials are present or where airflow may be restricted or blocked. Such motors are designed to permit the vacuumed air to pass over the electrical winding to cool it. Thus any foam, liquid (including water), dry chemical or other foreign substance will come in contact with electrical conductors which could cause combustion (depending on volatility) or electrical shock. Failure to observe these precautions could result in property damage and severe personal injury, including death in extreme cases. All applications incorporating Lamb motors should be submitted to Underwriters Laboratories Inc. or other appropriate organizations or agencies for testing specifically related to the safety of your equipment.